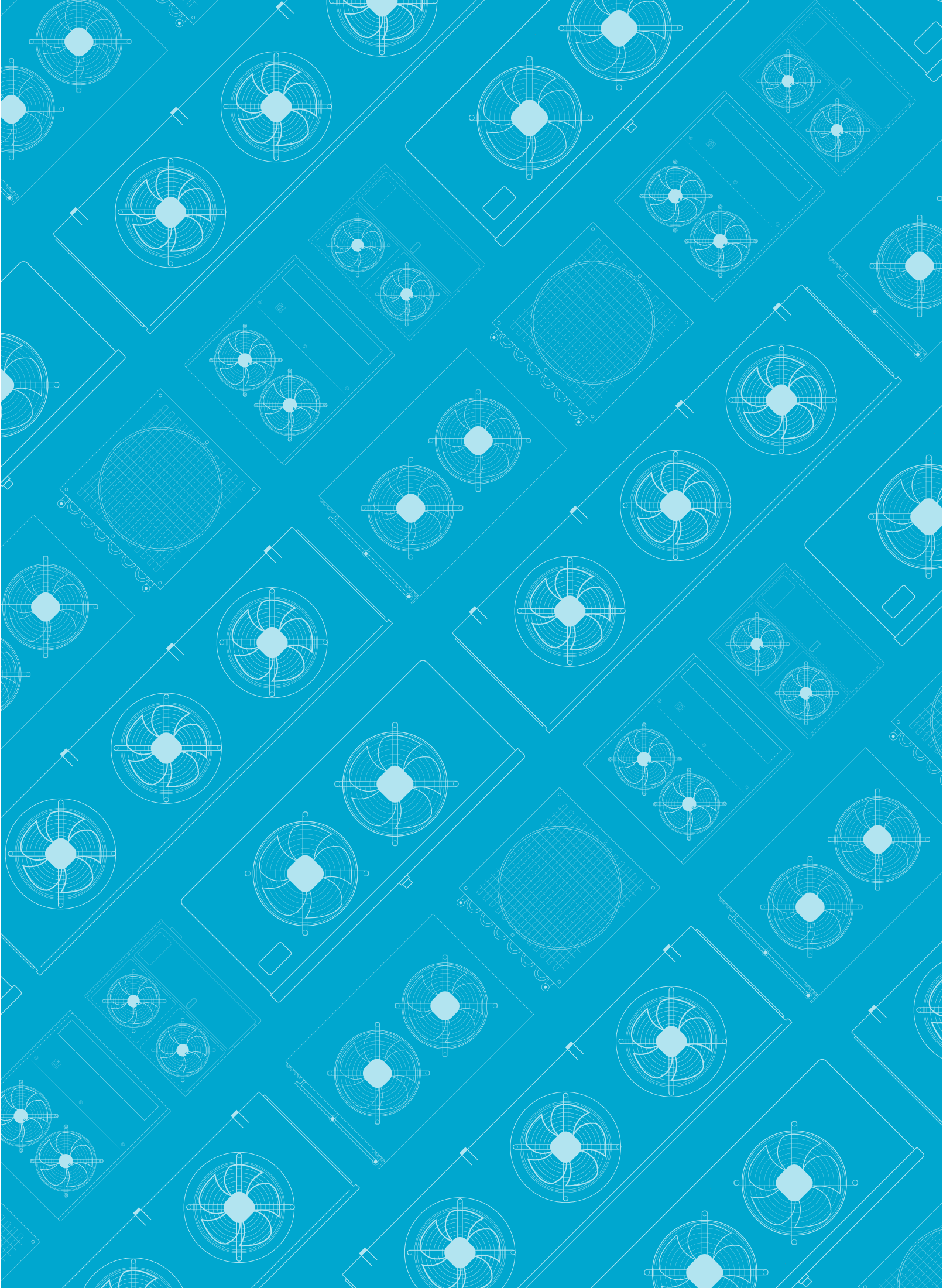


2023 HISPANIA CATALOGUE^{60Hz}

CONDENSERS & GAS COOLERS



CONDENSERS AND GAS COOLERS

CONDENSERS

- CONDENSERS: HCA & HCAS
- CONDENSERS: HCB & HCBS
- CONDENSERS: HCV
- CONDENSERS: HCH

GAS COOLERS

- GAS COOLERS: HCBS CO2

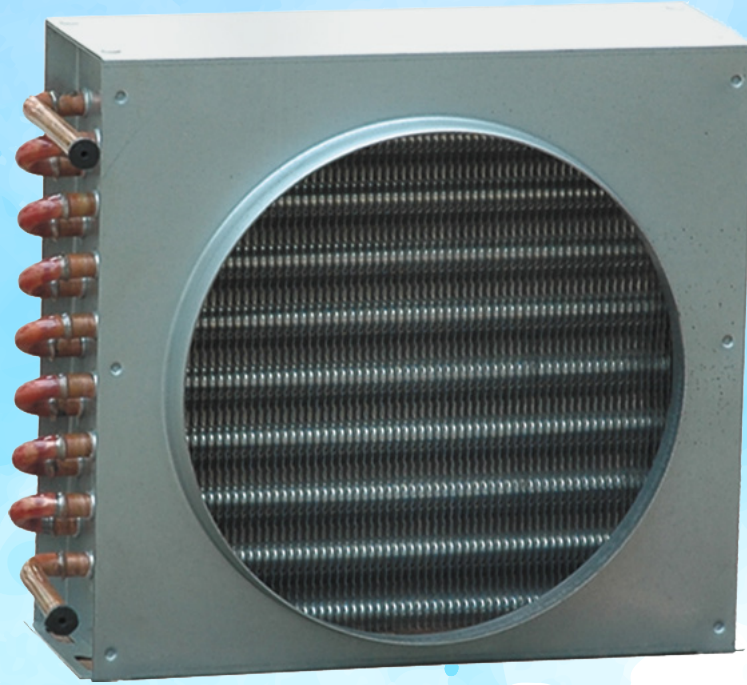
CONDENSADORES Y GAS COOLERS

CONDENSADORES

- | | | |
|----|-----------------------------|----|
| 4 | - CONDENSADORES: HCA & HCAS | 4 |
| 12 | - CONDENSADORES: HCB & HCBS | 12 |
| 20 | - CONDENSADORES: HCV | 20 |
| 28 | - CONDENSADORES: HCH | 28 |

GAS COOLERS

- | | | |
|----|-------------------------|----|
| 36 | - GAS COOLERS: HCBS CO2 | 36 |
|----|-------------------------|----|



CONDENSERS
CONDENSADORES

The exchange coils used in the HCA range are highly efficient with special profile aluminum fins and $\varnothing 9.52$ mm (HCA) or $\varnothing 7$ mm (HCAS) internally grooved tubes, with a reduced internal volume to reduce the necessary refrigerant charge, meeting the needs of the different international regulations for the reduction of gases with high greenhouse effect. They are supplied clean and tested under a pressure of 30 bar.

Supported to the casing by means of a “floating” system that avoids any kind of contact between the copper tubes and the supporting end plates, assuring a long life for the condenser without leaks.

HCA SERIES CONDENSERS
CONDENSADORES SERIE HCA

Los serpentines de intercambio utilizados en la gama HCA son de alta eficiencia con aletas de aluminio de perfil especial y $\varnothing 9.52$ mm (HCA) o $\varnothing 7$ mm (HCAS) tubos ranurados interiormente, con un volumen interno reducido para disminuir la carga de refrigerante necesaria, cumpliendo las necesidades de las diferentes normativas internacionales para la disminución de los gases de alto efecto invernadero. Se suministran limpias y probadas a una presión de 30 bar.

Se apoya en la carcasa mediante un sistema “flotante” que evita cualquier tipo de contacto entre los tubos de cobre y las placas terminales de soporte, asegurando una larga vida útil del condensador sin fugas.

HCA & HCAS SERIES CONDENSERS

CONDENSADORES SERIE HCA & HCAS

The standard electric fans used in this range have the following characteristics:

- ø200 mm: single-phase 230V/1/50 Hz with shade pole motor, with grid and short nozzle. Operating temperature -30°C to +50°C.

- ø250, 300, 350, 400 mm: single-phase 230V/1/50 Hz with external rotor, with type K grid and nozzle (short mouth). Operating temperature -40°C to +50°C.

-ø450, 500, 630 mm: three-phase 400V/3/50 Hz with external rotor, with type K grid and nozzle (short mouth). Operating temperature -40°C to +50°C.

No-coated galvanized steel casing with high resistance to corrosion and impacts.

For performance at work points other than those in this catalog, use the "Unit Selector Hybrid HISPANIA" software.

For special applications and additional information consult our Technical Department.

Los motoventiladores eléctricos estándar utilizados en esta gama tienen las siguientes características:

- ø200 mm: monofásicos 230V/1/50 Hz con motor de polo sombreado, con rejilla y embocadura corta. Temperatura de funcionamiento -30°C a +50°C.

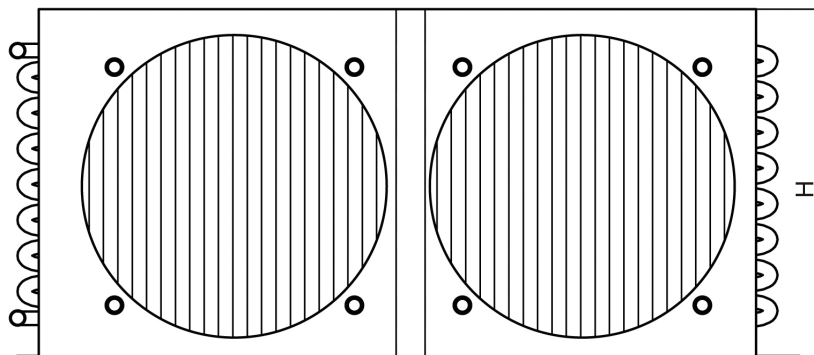
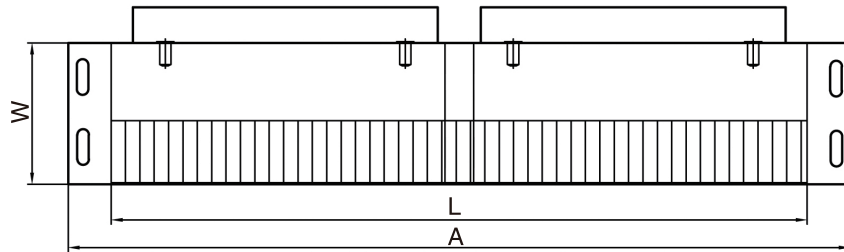
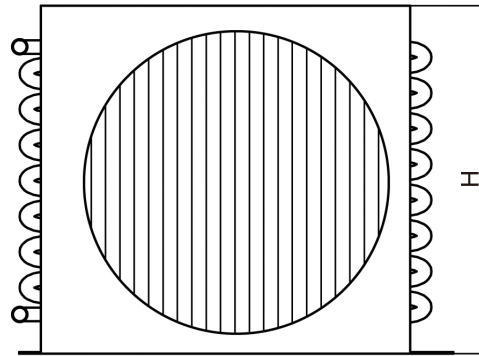
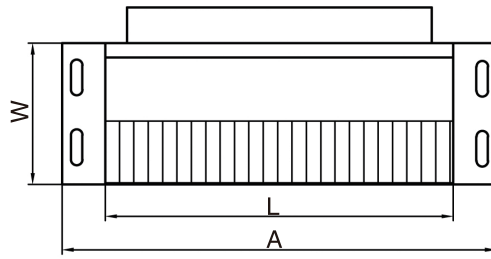
-ø250, 300, 350, 400 mm: monofásicos 230V/1/50 Hz de rotor externo, con rejilla y grilla tipo K (embocadura corta). Temperatura de funcionamiento -40°C a +50°C.

-ø450, 500, 630 mm: trifásicos 400V/3/50 Hz de rotor externo, con rejilla y grilla tipo K (embocadura corta). Temperatura de funcionamiento -40°C a +50°C.

Carcasa de acero galvanizado sin recubrimiento con alta resistencia a la corrosión y a los impactos.

Para trabajos con distintos rendimientos a los de este catálogo utilice el software "Unit Selector Hybrid HISPANIA".

Para aplicaciones especiales e informaciones adicionales consultar a nuestro Departamento Técnico.

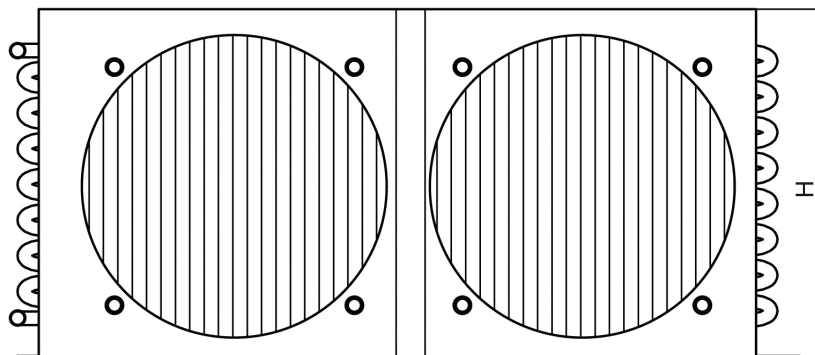
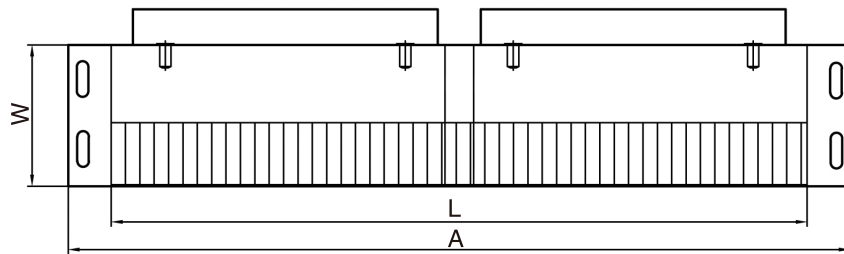
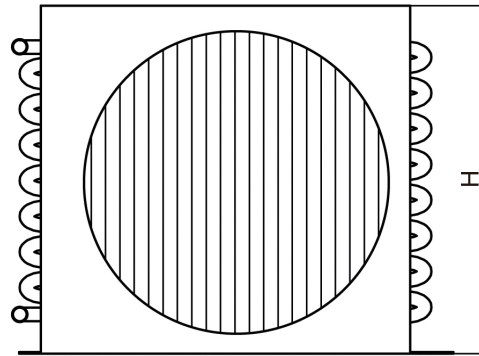
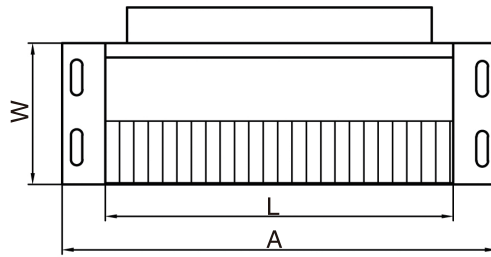


HCA & HCAS SERIES CONDENSERS

CONDENSADORES SERIE HCA & HCAS

Model / Modelo	Tubos N° Tubes N°	Capacity / Capacidad (Btu/h)			Espacio entre aletas/ Fin Spa- cing (mm)	Superfi- cie/ Surface (m ²)	Ventilador Ventilator		Dimensiones Dimension (mm)				Connection/ Conexión	
		HP	R404A	R448A/ R449A			N° x Ø (mm)	Volumen de Aire Air Flow (m ³ /h)	A	H	W	L	Inlet/ En- trada	Out- let/ Sali- da
			DT1=15K	DT1=15K										
HCA-82	8 x 2	1/5	1998	2035	3.5	1.1	1 x 200	374	280	245	100	240	3/8"	3/8"
HCA-83	8 x 3	1/4	2613	2644	3.5	1.7	1 x 200	321	280	245	125	240	3/8"	3/8"
HCA-84	8 x 4	1/4	2960	2985	3.5	2.3	1 x 200	284	280	245	150	240	3/8"	3/8"
HCA-92	9 x 2	1/4	2695	2736	3.5	1.5	1 x 250	568	310	285	100	270	3/8"	3/8"
HCA-93	9 x 3	1/3	3445	3479	3.5	2.2	1 x 250	499	310	285	125	270	3/8"	3/8"
HCA-94	9 x 4	3/8	3857	3885	3.5	2.9	1 x 250	453	310	285	150	270	3/8"	3/8"
HCA-103	10 x 3	1/3	4226	4255	3.5	3.2	1 x 250	480	310	285	125	270	3/8"	3/8"
HCA-104	10 x 4	3/8	4226	4255	3.5	3.2	1 x 250	480	310	285	150	270	3/8"	3/8"
HCA-114	11 x 4	1/2	4985	5016	3.5	3.9	1 x 250	538	340	290	150	300	3/8"	3/8"
HCA-124A	12 x 4	1/2	5085	5130	3.5	4.3	1 x 250	563	340	315	150	300	5/8"	1/2"
HCA-124B	12 x 4	5/8	10884	10989	3.5	5.0	1 x 300	1143	420	365	150	350	5/8"	1/2"
HCA-143	14 x 3	5/8	10293	10406	3.5	4.4	1 x 300	1322	420	365	150	350	5/8"	1/2"
HCA-144	14 x 4	5/8	12274	12381	3.5	5.9	1 x 300	1233	420	365	150	350	5/8"	1/2"
HCA-145	14 x 5	3/4	12307	12476	3.5	7.3	1 x 300	1155	420	365	175	350	3/4"	5/8"
HCA-163	16 x 3	7/8	16111	16304	3.5	6.2	1 x 350	2366	500	420	150	430	5/8"	1/2"
HCA-164A	16 x 4	1	18577	18787	3.5	8.2	1 x 350	2202	500	420	150	430	3/4"	5/8"
HCA-164B	16 x 4	1.25	22699	22960	3.5	8.6	1 x 400	2705	520	465	200	450	3/4"	5/8"
HCA-165	16 x 5	1.5	24421	24684	3.5	10.7	1 x 400	2455	520	465	200	450	3/4"	5/8"
HCA-185	18 x 5	1.75	30151	30426	3.5	13.4	1 x 400	2841	570	465	200	500	3/4"	5/8"
HCA-104D	10 x 4	7/8	8463	8519	3.5	6.4	2 x 250	960	610	285	150	540	5/8"	1/2"
HCA-114D	11 x 4	7/8	9988	10047	3.5	7.9	2 x 250	1075	670	290	150	600	5/8"	1/2"
HCA-124D	12 x 4	1.25	21793	22000	3.5	10.0	2 x 300	2285	770	365	150	700	3/4"	5/8"
HCA-100S	14 x 3	1.5	24897	25128	2.5	11.9	2 x 300	2533	770	365	150	700	5/8"	1/2"
HCA-150K	14 x 4	1.8	27836	28076	2.5	15.9	2 x 300	2334	770	365	150	700	3/4"	5/8"
HCA-200L	16 x 3	2	37640	38022	2.5	15.6	2 x 350	4378	870	420	150	800	5/8"	1/2"
HCA-200S	18 x 3	2.5	41072	41502	2.5	17.5	2 x 350	4601	870	470	200	800	5/8"	1/2"
HCA-300S	18 x 4	3	45507	45910	2.5	23.4	2 x 350	4275	870	470	200	800	3/4"	5/8"
HCA-400E	20 x 4	3.5	59091	59563	2.5	34.9	2 x 350	5056	1145	520	200	1075	1-1/8"	3/4"
HCA-400S	20 x 4	4	71922	72540	2.5	34.9	2 x 400	6248	1145	520	200	1075	1-1/8"	7/8"
HCA-500T	22 x 5	5	82066	82710	2.5	48.0	2 x 400	6145	1145	600	230	1075	1-3/8"	7/8"
HCA-500S	22 x 5	7.5	85980	86674	2.5	48.0	2 x 450	8705	1145	600	230	1075	1-3/8"	7/8"
HCA-600T	22 x 5	9	120460	121562	2.5	53.1	2 x 500	10989	1260	600	230	1190	1-3/8"	7/8"
HCA-285	28 x 5	10	144689	145961	2.5	67.6	2 x 500	12698	1260	742	230	1190	1-3/8"	7/8"
HCA-286	28 x 6	15	196261	198175	2.5	102.3	2 x 630	20153	1570	742	400	1500	1-3/8"	7/8"
HCA-346	34 x 6	20	218553	220489	2.5	124.2	2 x 630	24105	1615	890	400	1500	1-3/8"	7/8"

CONDENSERS/GAS COOLERS



HCA & HCAS SERIES CONDENSERS

CONDENSADORES SERIE HCA & HCAS

Model / Modelo	Tubos N° Tubes N°	Capacity / Capacidad (Btu/h)			Espacio entre aletas/ Fin Spa- cing (mm)	Superfi- cie/ Surface (m ²)	Ventilador Ventilator		Dimensiones Dimension (mm)				Connection/ Conexión	
		HP	R404A	R448A/ R449A			N° x Ø (mm)	Volumen de Aire Air Flow (m ³ /h)	A	H	W	L	Inlet/ En- trada	Out- let/ Sali- da
			DT1=15K	DT1=15K										
HCAS-82	8 x 2	1/5	1900	1926	3.5	1.2	1 x 200	352	280	245	100	240	3/8"	3/8"
HCAS-83	8 x 3	1/4	2430	2452	3.5	1.8	1 x 200	300	280	245	125	240	3/8"	3/8"
HCAS-84	8 x 4	1/4	2726	2746	3.5	2.4	1 x 200	266	280	245	150	240	3/8"	3/8"
HCAS-92	9 x 2	1/4	2517	2545	3.5	1.5	1 x 250	455	310	285	100	270	3/8"	3/8"
HCAS-93	9 x 3	1/3	3163	3189	3.5	2.3	1 x 250	385	310	285	125	270	3/8"	3/8"
HCAS-94	9 x 4	3/8	3510	3535	3.5	3.0	1 x 250	339	310	285	150	270	3/8"	3/8"
HCAS-103	10 x 3	1/3	3835	3862	3.5	3.3	1 x 250	367	310	285	125	270	3/8"	3/8"
HCAS-104	10 x 4	3/8	3835	3862	3.5	3.3	1 x 250	367	310	285	150	270	3/8"	3/8"
HCAS-114	11 x 4	1/2	4497	4531	3.5	4.1	1 x 250	424	340	290	150	300	3/8"	3/8"
HCAS-124A	12 x 4	1/2	4733	4767	3.5	4.5	1 x 250	450	340	315	150	300	5/8"	1/2"
HCAS-124B	12 x 4	5/8	9862	9952	3.5	5.2	1 x 300	1196	420	365	150	350	5/8"	1/2"
HCAS-143	14 x 3	5/8	9484	9577	3.5	4.5	1 x 300	1436	420	365	150	350	5/8"	1/2"
HCAS-144	14 x 4	5/8	11134	11239	3.5	6.1	1 x 300	1322	420	365	150	350	5/8"	1/2"
HCAS-145	14 x 5	3/4	11577	11696	3.5	7.6	1 x 300	1214	420	365	175	350	3/4"	5/8"
HCAS-163	16 x 3	7/8	14739	14890	3.5	6.4	1 x 350	2397	500	420	150	430	5/8"	1/2"
HCAS-164A	16 x 4	1	16800	16958	3.5	8.5	1 x 350	2111	500	420	150	430	3/4"	5/8"
HCAS-164B	16 x 4	1.25	20355	20559	3.5	8.9	1 x 400	2773	520	465	200	450	3/4"	5/8"
HCAS-165	16 x 5	1.5	22027	22230	3.5	11.1	1 x 400	2476	520	465	200	450	3/4"	5/8"
HCAS-185	18 x 5	1.75	27196	27441	3.5	13.9	1 x 400	2993	570	465	200	500	3/4"	5/8"
HCAS-104D	10 x 4	7/8	7705	7754	3.5	6.7	2 x 250	734	610	285	150	540	5/8"	1/2"
HCAS-114D	11 x 4	7/8	9054	9115	3.5	8.2	2 x 250	847	670	290	150	600	5/8"	1/2"
HCAS-124D	12 x 4	1.25	19806	19976	3.5	10.4	2 x 300	2392	770	365	150	700	3/4"	5/8"
HCAS-100S	14 x 3	1.5	22594	22843	2.5	12.5	2 x 300	2724	770	365	150	700	5/8"	1/2"
HCAS-150K	14 x 4	1.8	22347	22574	2.5	12.4	2 x 300	2724	770	365	150	700	3/4"	5/8"
HCAS-200L	16 x 3	2	31785	32307	2.5	16.3	2 x 350	4162	870	420	150	800	5/8"	1/2"
HCAS-200S	18 x 3	2.5	34645	35325	2.5	18.3	2 x 350	4602	870	470	200	800	5/8"	1/2"
HCAS-300S	18 x 4	3	38496	39086	2.5	24.4	2 x 350	3958	870	470	200	800	3/4"	5/8"
HCAS-400E	20 x 4	3.5	54344	54807	2.5	36.5	2 x 350	5215	1145	520	200	1075	1-1/8"	3/4"
HCAS-400S	20 x 4	4	65006	65733	2.5	36.5	2 x 400	6817	1145	520	200	1075	1-1/8"	7/8"
HCAS-500T	22 x 5	5	74951	75584	2.5	50.2	2 x 400	6666	1145	600	230	1075	1-3/8"	7/8"
HCAS-500S	22 x 5	7.5	77969	78722	2.5	50.2	2 x 450	7055	1145	600	230	1075	1-3/8"	7/8"
HCAS-600T	22 x 5	9	104264	105636	2.5	55.5	2 x 500	10423	1260	600	230	1190	1-3/8"	7/8"
HCAS-285	28 x 5	10	128187	129807	2.5	70.7	2 x 500	12572	1260	742	230	1190	1-3/8"	7/8"
HCAS-286	28 x 6	15	165645	169272	2.5	106.9	2 x 630	15659	1570	742	400	1500	1-3/8"	7/8"
HCAS-346	34 x 6	20	188014	191721	2.5	129.8	2 x 630	17031	1615	890	400	1500	1-3/8"	7/8"

CONDENSERS/GAS COOLERS

AVAILABLE OPTIONS FOR HCA SERIES:

Copper tube options:

- \varnothing 9.52 mm internally grooved tubes
- \varnothing 7 mm internally grooved tubes

Casing options:

- Coated on customer's request

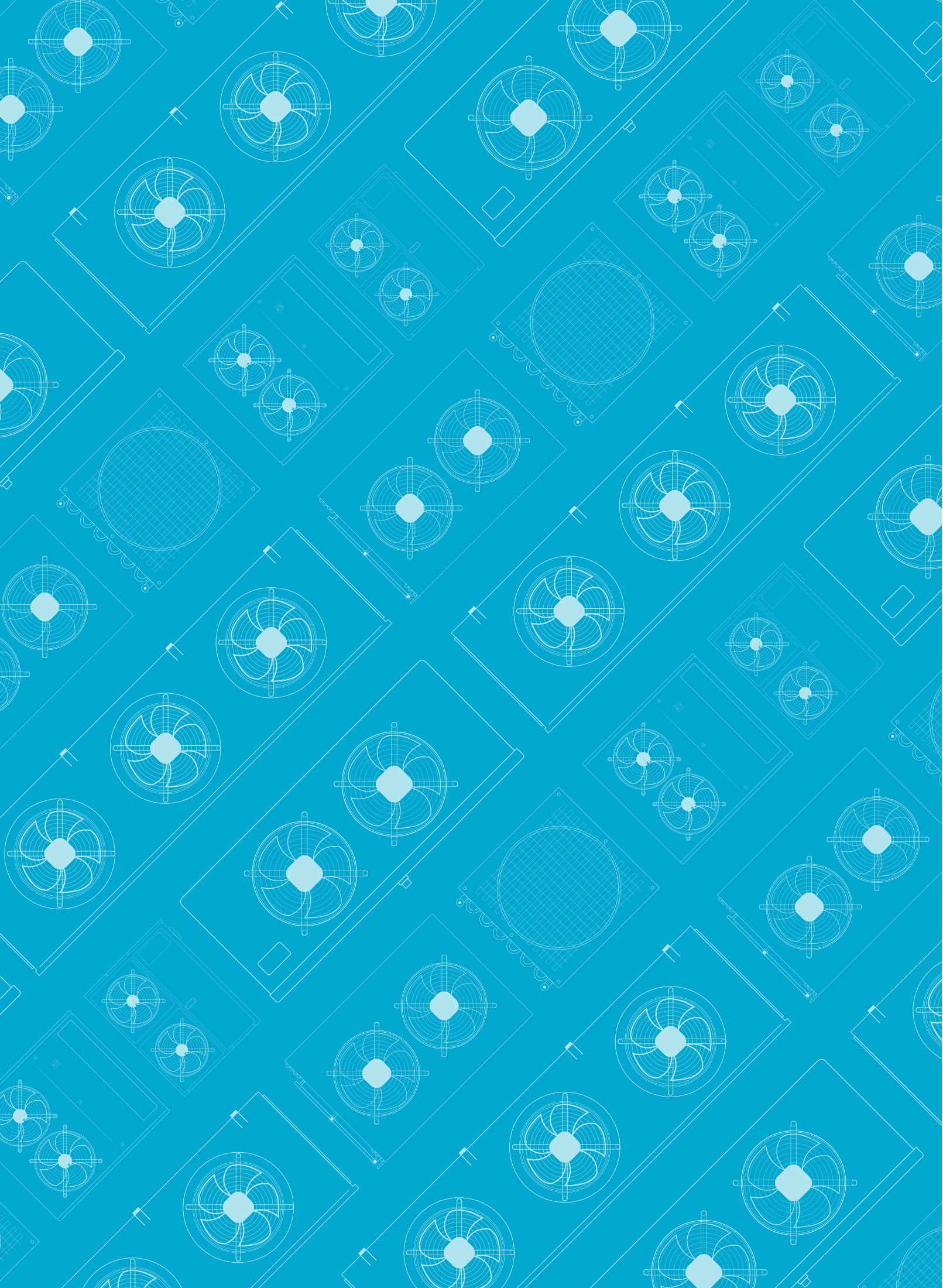
OPCIONES DISPONIBLES PARA LA SERIE HCA:

Opciones de tubo de cobre:

- Tubos ranurados internamente de \varnothing 9,52 mm
- Tubos ranurados internamente de \varnothing 7 mm

Opciones carcasa:

- Recubierto a petición del cliente





CONDENSERS
CONDENSADORES

The exchange coils used in the HCB range are highly efficient with special profile aluminum fins and $\varnothing 9.52$ mm (HCB) or $\varnothing 7$ mm (HCBS) internally grooved tubes, with a reduced internal volume to reduce the necessary refrigerant charge, meeting the needs of the different international regulations for the reduction of gases with high greenhouse effect. They are supplied clean and tested under a pressure of 30 bar.

Supported to the casing by means of a “floating” system that avoids any kind of contact between the copper tubes and the supporting end plates, assuring a long life for the condenser without leaks.

On outdoor units, Blue Fin coating helps protect the parts from corrosion.

HCB SERIES CONDENSERS
CONDENSADORES SERIE HCB

Los serpentines de intercambio utilizados en la gama HCB son de alta eficiencia con aletas de aluminio de perfil especial y $\varnothing 9.52$ mm (HCB) o $\varnothing 7$ mm (HCBS) tubos ranurados interiormente, con un volumen interno reducido para disminuir la carga de refrigerante necesaria, cumpliendo las necesidades de las diferentes normativas internacionales para la disminución de los gases de alto efecto invernadero. Se suministran limpias y probadas a una presión de 30 bar.

Se apoya en la carcasa mediante un sistema “flotante” que evita cualquier tipo de contacto entre los tubos de cobre y las placas terminales de soporte, asegurando una larga vida útil del condensador sin fugas.

En las unidades exteriores, el revestimiento de aleta azul ayuda a proteger las piezas de la corrosión.

HCB & HCBS SERIES CONDENSERS

CONDENSADORES SERIE HCB & HCBS

The standard electric fans used in this range have the following characteristics:

- ø200 mm: single-phase 230V/1/50 Hz with shaded pole motor, with grid and short nozzle. Operating temperature -30°C to +50°C.

- ø250, 300, 350, 400 mm: single-phase 230V/1/50 Hz with external rotor, with type K grid and nozzle (short mouth). Operating temperature -40°C to +50°C.

-ø450, 500, 630, 710, 800 mm: three-phase 400V/3/50 Hz with external rotor, with type K grid and nozzle (short mouth). Operating temperature -40°C to +50°C.

Black galvanized steel casing with high resistance to corrosion and impacts.

For performance at work points other than those in this catalog, use the "Unit Selector Hybrid HISPANIA" software.

For special applications and additional information consult our Technical Department.

Los motoventiladores eléctricos estándar utilizados en esta gama tienen las siguientes características:

- ø200 mm: monofásicos 230V/1/50 Hz con motor de polo sombreado, con rejilla y embocadura corta. Temperatura de funcionamiento -30°C a +50°C.

-ø250, 300, 350, 400 mm: monofásicos 230V/1/50 Hz de rotor externo, con rejilla y grilla tipo K (embocadura corta). Temperatura de funcionamiento -40°C a +50°C.

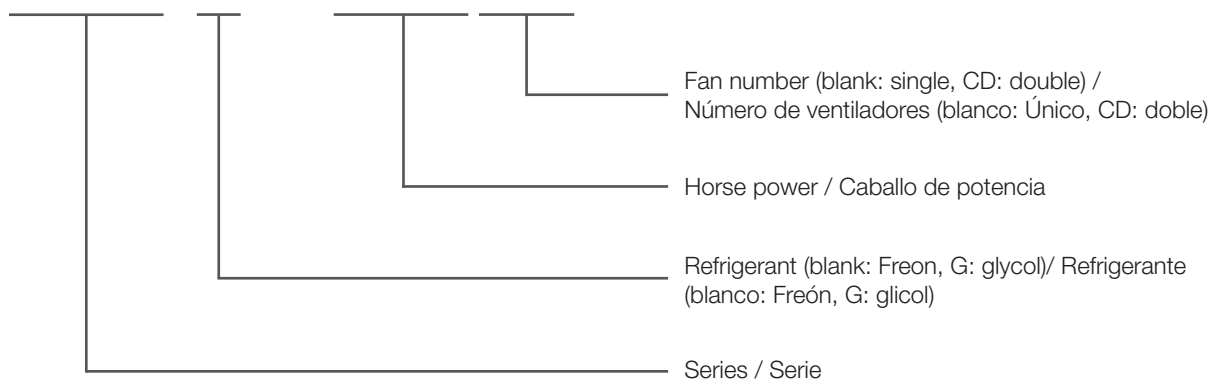
-ø450, 500, 630, 710, 800 mm: trifásicos 400V/3/50 Hz de rotor externo, con rejilla y grilla tipo K (embocadura corta). Temperatura de funcionamiento -40°C a +50°C.

Carcasa de acero galvanizado negro con alta resistencia a la corrosión y a los impactos.

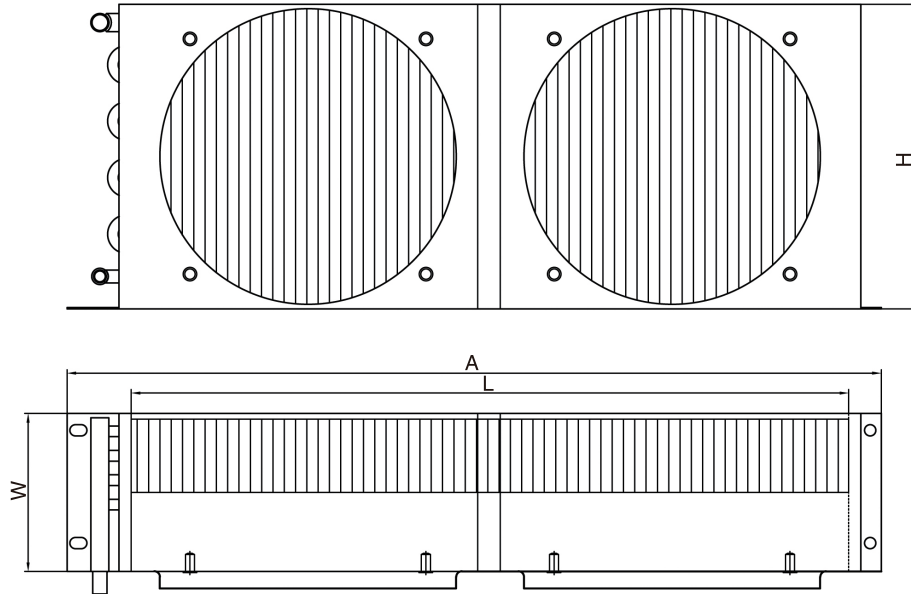
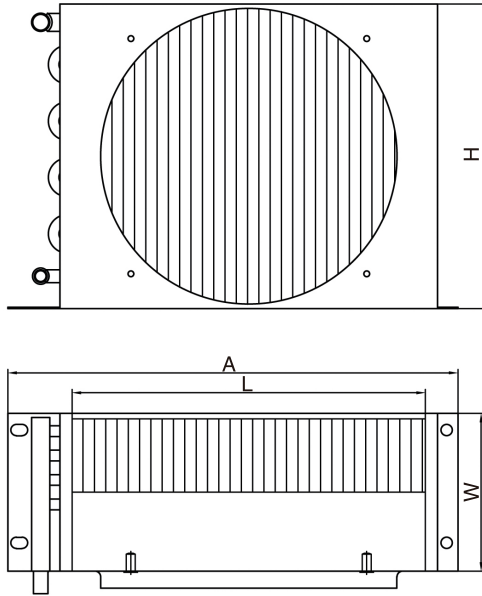
Para trabajos con distintos rendimientos a los de este catálogo utilice el software "Unit Selector Hybrid HISPANIA".

Para aplicaciones especiales e informaciones adicionales consultar a nuestro Departamento Técnico.

HCB G - 1HPCD



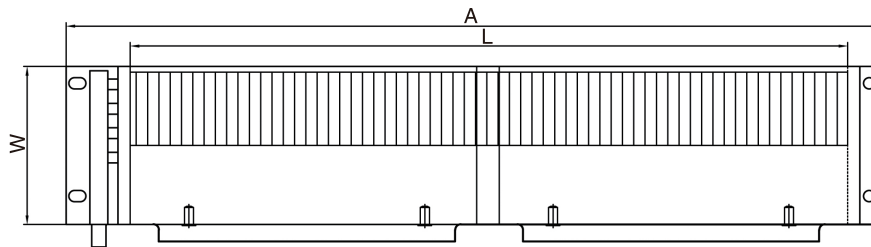
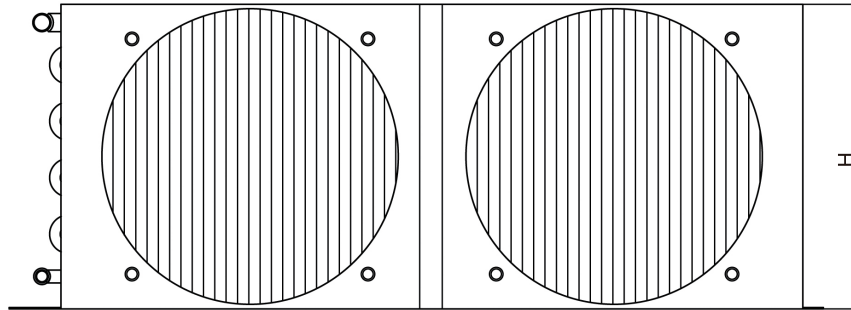
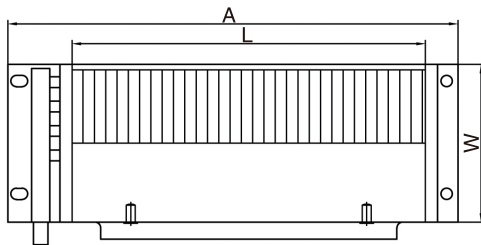
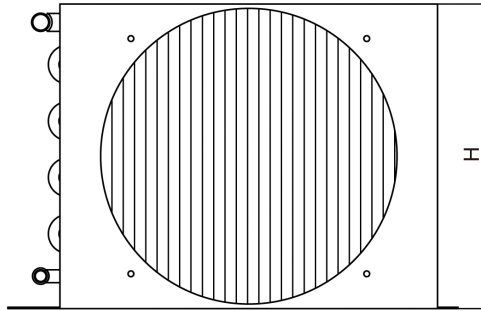
CONDENSERS/GAS COOLERS



HCB & HCBS SERIES CONDENSERS

CONDENSADORES SERIE HCB & HCBS

Model / Modelo	Tubos N° Tubes N°	Capacity / Capacidad (Btu/h)		Espacio entre aletas/ Fin Spa- cing (mm)	Superfi- cie/ Surface (m ²)	Ventilador Ventilator		Dimensiones Dimension (mm)				Connection/ Conexión	
		R404A	R448A/ R449A			N° x Ø (mm)	Volumen de Aire Air Flow (m ³ /h)	A	H	W	L	Inlet/ En- trada	Out- let/ Sali- da
		DT1=15K	DT1=15K										
HCB-1/4HP	2 x 11	5135	5199	3.17	2.2	1 x 250	943	360	281	102	300	3/8"	3/8"
HCB-1/3HP	3 x 10	5393	5442	3.17	2.9	1 x 250	643	380	270	120	300	3/8"	3/8"
HCB-1/2HP	4 x 10	5620	5685	3.17	3.8	1 x 250	577	380	270	140	290	3/8"	3/8"
HCB-3/4HP	4 x 12	11321	11431	3.17	5.5	1 x 300	1250	450	370	152	350	3/8"	3/8"
HCB-1HP	4 x 14	14038	14152	3.17	7.3	1 x 300	1455	490	370	152	400	1/2"	3/8"
HCB-1.5HP	4 x 16	22774	22986	3.17	10.4	1 x 350	2459	600	422	182	500	1/2"	3/8"
HCB-2HP	4 x 18	32477	32936	3.17	14.1	1 x 400	3714	690	473	182	600	1/2"	3/8"
HCB-2.5HP	5 x 18	36426	36773	3.17	17.6	1 x 400	3501	710	473	200	600	5/8"	1/2"
HCB-3HP	6 x 18	38056	38451	3.17	21.2	1 x 400	3293	710	473	234	600	5/8"	1/2"
HCB-4HP	6 x 22	43551	43916	3.17	25.9	1 x 400	3651	710	575	234	600	5/8"	1/2"
HCB-5HP	4 x 30	56176	56819	2.83	34.8	1 x 450	5260	910	780	215	800	5/8"	1/2"
HCB-1HPCD	4 x 10	7621	7672	3.17	6.5	2 x 200	669	590	270	140	500	3/8"	3/8"
HCB-1.5HPCD	4 x 11	14092	14183	3.17	9.5	2 x 250	1301	737	305	140	660	1/2"	3/8"
HCB-2HPCD	4 x 12	25778	26030	3.17	12.5	2 x 300	2710	900	370	152	800	1/2"	3/8"
HCB-3HPCD	4 x 16	47825	48246	2.83	23.2	2 x 350	4813	1110	420	182	1000	5/8"	1/2"
HCB-4HPCD	4 x 20	54877	55438	2.83	29.0	2 x 350	5375	1110	525	182	1000	5/8"	1/2"
HCB-5HPCD	4 x 24	72089	73205	2.83	34.8	2 x 400	7634	1110	625	195	1000	5/8"	1/2"
HCB-6HPCD	4 x 26	79443	81101	2.83	45.2	2 x 400	8312	1310	680	195	1200	5/8"	1/2"
HCB-7.5HPCD	4 x 32	102433	103373	2.83	55.6	2 x 450	9863	1310	830	215	1200	7/8"	5/8"
HCB-10HPCD	4 x 32	157137	159812	2.83	74.2	2 x 500	16991	1710	830	230	1600	1-1/8"	7/8"
HCB-12HPCD	4 x 36	188790	190905	2.83	83.4	2 x 630	19975	1710	928	230	1600	1-1/8"	7/8"
HCB-15HPCD	4 x 36	198174	200568	2.83	93.9	2 x 630	20510	1910	928	230	1800	1-1/8"	7/8"
HCB-18HPCD	4 x 36	229929	233412	2.54	103.2	3 x 500	24969	2090	928	230	1980	1-1/8"	7/8"
HCB-20HPCD	4 x 42	272349	274824	2.83	121.7	2 x 710	28332	2110	1075	227	2044	1-3/8"	1-1/8"
HCB-25HPCD	4 x 42	284872	287519	2.83	133.8	2 x 710	29005	2310	1075	227	2200	1-3/8"	1-1/8"
HCB-30HPCD	5 x 42	312287	315570	2.83	167.3	2 x 710	28063	2310	1075	227	2200	1-5/8"	1-3/8"
HCB-35HPCD	5 x 48	427516	430778	2.54	240.0	2 x 800	36636	2580	1230	350	2500	1-5/8"	1-3/8"
HCB-40HPCD	6 x 48	442128	445375	2.54	288.0	2 x 800	35204	2580	1230	350	2500	1-5/8"	1-3/8"
HCB-45HPCD	5 x 48	633011	640010	2.54	360.0	3 x 800	54954	3830	1230	350	3750	2-1/8"	1-5/8"
HCB-50HPCD	6 x 48	675911	680175	2.54	432.0	3 x 800	52805	3830	1230	350	3750	2-5/8"	2-1/8"



HCB & HCBS SERIES CONDENSERS

CONDENSADORES SERIE HCB & HCBS

Model / Modelo	Tubos N° Tubes N°	Capacity / Capacidad (Btu/h)		Espacio entre aletas/ Fin Spa- cing (mm)	Superfi- cie/ Surface (m ²)	Ventilador Ventilator		Dimensiones Dimension (mm)				Connection/ Conexión	
		R404A	R448A/ R449A			N° x Ø (mm)	Volumen de Aire Air Flow (m ³ /h)	A	H	W	L	Inlet/ En- trada	Out- let/ Sali- da
		DT1=15K	DT1=15K										
HCBS-1/4HP	2 x 11	4733	4784	3.17	2.2	1 x 250	898	360	281	102	300	3/8"	3/8"
HCBS-1/3HP	3 x 10	4922	4967	3.17	3.1	1 x 250	607	380	270	120	300	3/8"	3/8"
HCBS-1/2HP	4 x 10	5318	5367	3.17	3.9	1 x 250	548	380	270	140	290	3/8"	3/8"
HCBS-3/4HP	4 x 12	10281	10378	3.17	5.7	1 x 300	1169	450	370	152	350	3/8"	3/8"
HCBS-1HP	4 x 14	12734	12853	3.17	7.6	1 x 300	1390	490	370	152	400	1/2"	3/8"
HCBS-1.5HP	4 x 16	19338	19688	3.17	10.9	1 x 350	2322	600	422	182	500	1/2"	3/8"
HCBS-2HP	4 x 18	25267	26120	3.17	14.7	1 x 400	3549	690	473	182	600	1/2"	3/8"
HCBS-2.5HP	5 x 18	30551	31176	3.17	18.3	1 x 400	3307	710	473	200	600	5/8"	1/2"
HCBS-3HP	6 x 18	34350	34642	3.17	22.0	1 x 400	3078	710	473	234	600	5/8"	1/2"
HCBS-4HP	6 x 22	39518	39864	3.17	26.9	1 x 400	3486	710	575	234	600	5/8"	1/2"
HCBS-5HP	4 x 30	45825	47150	2.83	36.2	1 x 450	5114	910	780	215	800	5/8"	1/2"
HCBS-1HPCD	4 x 10	7019	7063	3.17	6.8	2 x 200	625	590	270	140	500	3/8"	3/8"
HCBS-1.5HPCD	4 x 11	12682	12787	3.17	9.9	2 x 250	1228	737	305	140	660	1/2"	3/8"
HCBS-2HPCD	4 x 12	21418	21878	3.17	13.0	2 x 300	2552	900	370	152	800	1/2"	3/8"
HCBS-3HPCD	4 x 16	40953	41643	2.83	24.1	2 x 350	4524	1110	420	182	1000	5/8"	1/2"
HCBS-4HPCD	4 x 20	45644	46707	2.83	30.2	2 x 350	5127	1110	525	182	1000	5/8"	1/2"
HCBS-5HPCD	4 x 24	66690	67468	2.83	36.2	2 x 400	7309	1110	625	195	1000	5/8"	1/2"
HCBS-6HPCD	4 x 26	78243	78873	2.83	47.1	2 x 400	8066	1310	680	195	1200	5/8"	1/2"
HCBS-7.5HPCD	4 x 32	93897	94701	2.83	58.0	2 x 450	9580	1310	830	215	1200	7/8"	5/8"
HCBS-10HPCD	4 x 32	147406	149243	2.83	77.3	2 x 500	16515	1710	830	230	1600	1-1/8"	7/8"
HCBS-12HPCD	4 x 36	170668	172870	2.83	86.9	2 x 630	19460	1710	928	230	1600	1-1/8"	7/8"
HCBS-15HPCD	4 x 36	179678	182219	2.83	97.8	2 x 630	20050	1910	928	230	1800	1-1/8"	7/8"
HCBS-18HPCD	4 x 36	205802	209505	2.54	107.6	3 x 500	24214	2090	928	230	1980	1-1/8"	7/8"
HCBS-20HPCD	4 x 42	236957	241155	2.83	126.8	2 x 710	27502	2110	1075	227	2044	1-3/8"	1-1/8"
HCBS-25HPCD	4 x 42	245618	250451	2.83	139.5	2 x 710	28283	2310	1075	227	2200	1-3/8"	1-1/8"
HCBS-30HPCD	5 x 42	258957	265535	2.83	174.3	2 x 710	27152	2310	1075	227	2200	1-5/8"	1-3/8"
HCBS-35HPCD	5 x 48	381031	386252	2.54	250.7	2 x 800	35282	2580	1230	350	2500	1-5/8"	1-3/8"
HCBS-40HPCD	6 x 48	412581	415748	2.54	300.9	2 x 800	33676	2580	1230	350	2500	1-5/8"	1-3/8"
HCBS-45HPCD	5 x 48	514198	528696	2.54	376.1	3 x 800	52923	3830	1230	350	3750	2-1/8"	1-5/8"
HCBS-50HPCD	6 x 48	609215	616172	2.54	451.3	3 x 800	50514	3830	1230	350	3750	2-5/8"	2-1/8"

AVAILABLE OPTIONS FOR HCB SERIES:

Copper tube options:

- \varnothing 9.52 mm internally grooved tubes
- \varnothing 7 mm internally grooved tubes

Casing options:

- Coated on customer's request

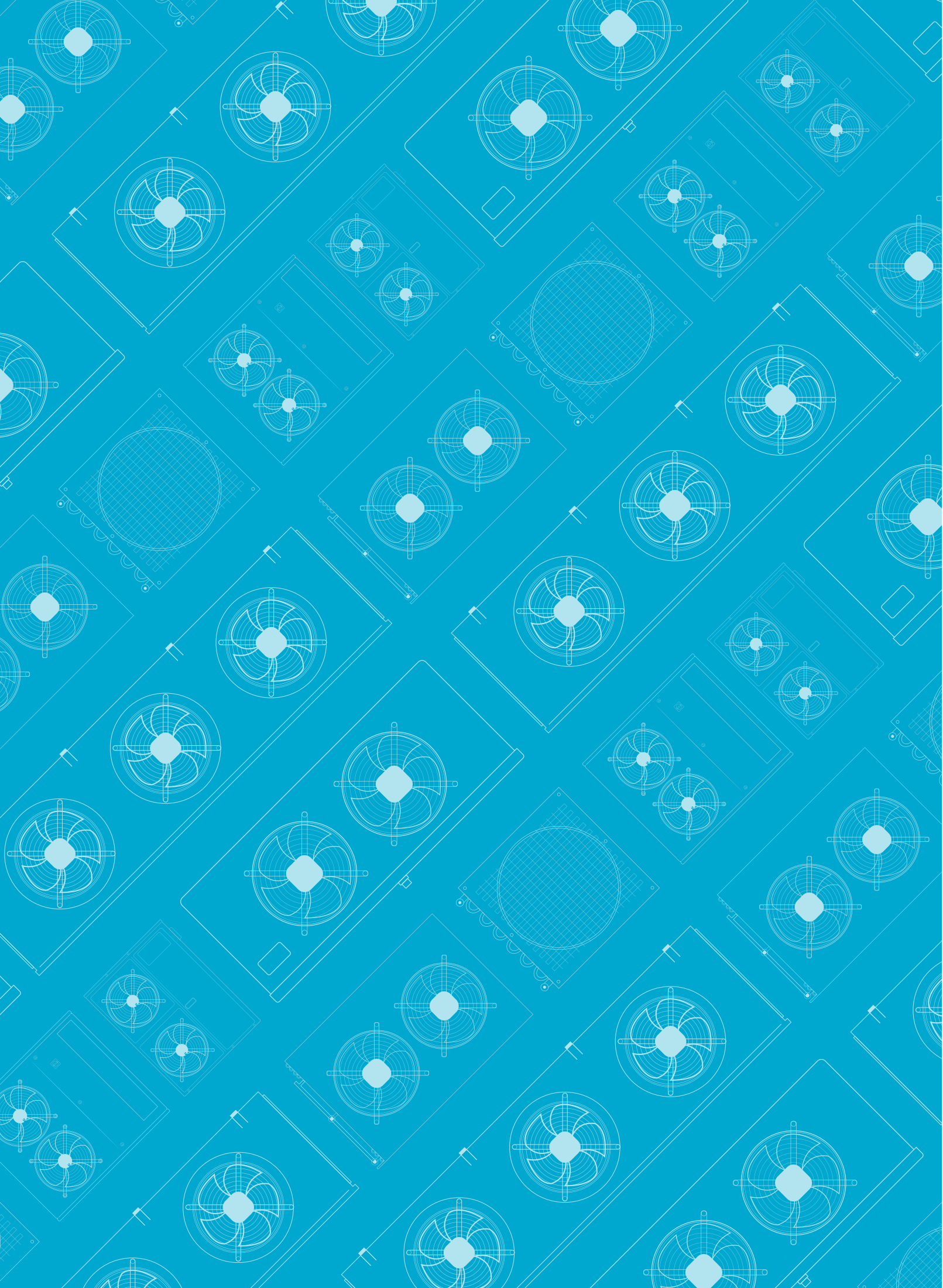
OPCIONES DISPONIBLES PARA LA SERIE HCB:

Opciones de tubo de cobre:

- Tubos ranurados internamente de \varnothing 9,52 mm
- Tubos ranurados internamente de \varnothing 7 mm

Opciones carcasa:

- Recubierto a petición del cliente





CONDENSERS
CONDENSADORES

The exchange coils used in the HCV range are highly efficient with special profile aluminum fins and $\varnothing 9.52$ mm internally grooved tubes, with a reduced internal volume to reduce the necessary refrigerant charge, meeting the needs of the different international regulations for the reduction of gases with high greenhouse effect. They are supplied clean and tested under a pressure of 30 bar.

Supported to the casing by means of a “floating” system that avoids any kind of contact between the copper tubes and the supporting end plates, assuring a long life for the condenser without leaks.

On outdoor units, Blue Fin coating helps protect the parts from corrosion.

HCV SERIES CONDENSERS
CONDENSADORES SERIE HCV

Los serpentines de intercambio utilizados en la gama HCV son de alta eficiencia con aletas de aluminio de perfil especial y $\varnothing 9.52$ mm tubos ranurados interiormente, con un volumen interno reducido para disminuir la carga de refrigerante necesaria, cumpliendo las necesidades de las diferentes normativas internacionales para la disminución de los gases de alto efecto invernadero. Se suministran limpias y probadas a una presión de 30 bar.

Se apoya en la carcasa mediante un sistema “flotante” que evita cualquier tipo de contacto entre los tubos de cobre y las placas terminales de soporte, asegurando una larga vida útil del condensador sin fugas.

En las unidades exteriores, el revestimiento de aleta azul ayuda a proteger las piezas de la corrosión.

HCV SERIES CONDENSERS

CONDENSADORES SERIE HCV

The standard electric fans used in this range have the following characteristics:

-ø500, 630 mm: three-phase 400V/3/50 Hz with external rotor, with L-type grille and nozzle (long mouth). Operating temperature -40°C to +50°C.

-ø800 mm: three-phase 400V/3/50 Hz with external rotor, with ZN-type grille and nozzle (long mouth). Operating temperature -40°C to +50°C.

White coated galvanized steel casing with high resistance to corrosion and impacts.

For performance at work points other than those in this catalog, use the "Unit Selector Hybrid HISPANIA" software.

For special applications and additional information consult our Technical Department.

Los motoventiladores eléctricos estándar utilizados en esta gama tienen las siguientes características:

-ø500 y 630 mm: trifásicos 400V/3/50 Hz de rotor externo, con bafle y rejilla tipo L (embocadura larga). Temperatura de funcionamiento -40°C a +50°C.

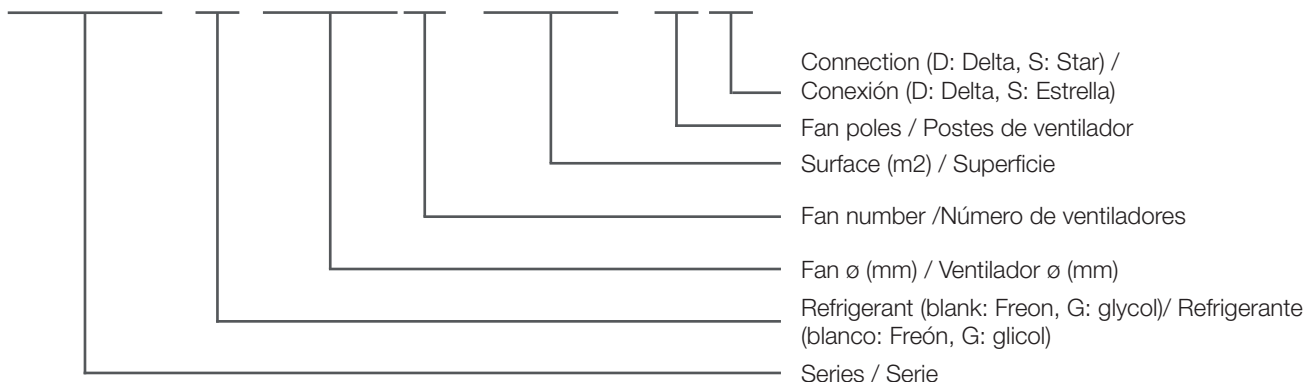
-ø800 mm: trifásicos 400V/3/50 Hz de rotor externo, con bafle y rejilla tipo ZN (embocadura larga). Temperatura de funcionamiento -40°C a +50°C.

Carcasa de acero galvanizado con recubrimiento blanco con alta resistencia a la corrosión y a los impactos.

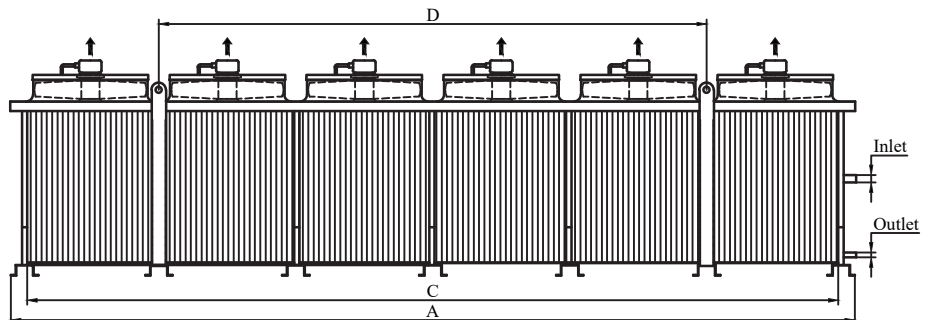
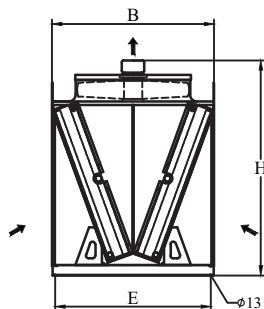
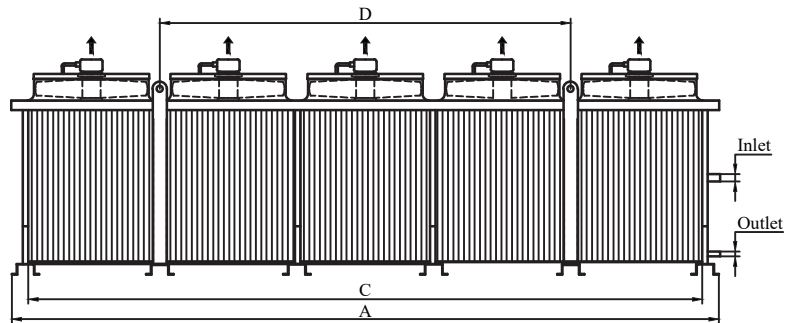
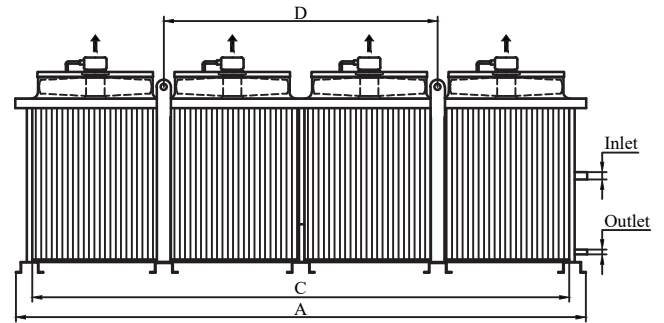
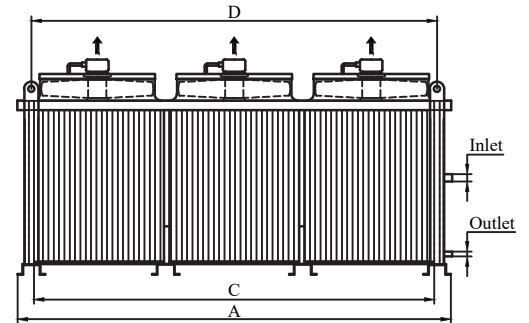
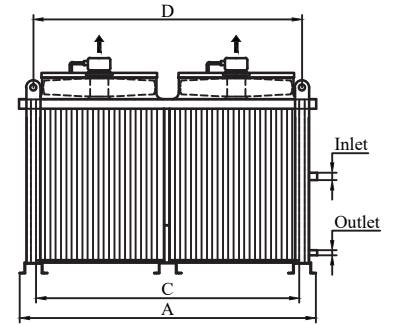
Para trabajos con distintos rendimientos a los de este catálogo utilice el software "Unit Selector Hybrid HISPANIA".

Para aplicaciones especiales e informaciones adicionales consultar a nuestro Departamento Técnico.

HCV G 6303-309-4D



Model / Model	Dimensions / Dimensiones (mm)					
	A	B	C	D	E	H
HCV 5002...	1446	781	1320	1350	720	859
HCV 5003...	2121	781	1995	2025	720	859
HCV 5004...	2796	781	2670	2700	720	859
HCV 5005...	3471	781	3345	3375	720	859
HCV 5006...	4146	781	4020	4050	720	859
HCV 6302...	1694	912	1500	1540	865	1210
HCV 6303...	2464	912	2270	2310	865	1210
HCV 6304...	3234	912	3040	1540	865	1210
HCV 6305...	4004	912	3810	2310	865	1210
HCV 6306...	4774	912	4580	3080	865	1210
HCV 8002...	2256	1150	2070	2100	1113	1435
HCV 8003...	3306	1150	3120	3150	1113	1435
HCV 8004...	4356	1150	4170	2100	1113	1435
HCV 8005...	5406	1150	5220	3150	1113	1435
HCV 8006...	6456	1150	6270	4200	1113	1435



HCV SERIES CONDENSERS

CONDENSADORES SERIE HCV

Model / Modelo	Capacity / Capacidad (Btu/h)		Sound Pressure Level	Espacio entre aletas/ Fin Spacing (mm)	Superficie/ Surface (m ²)	Tube Volume/ Volumen Interno (dm ³)	Ventilador Ventilator					Connection/ Conexión (ø mm)		N.W/ Peso Neto (kg)
	R404A	R448A/ R449A	dist=10m				N° x Ø (mm)	Pole connection Conexión de polos	Power/ Potencia (W)	Current/ Intensidad (A)	Volumen de Aire Air Flow (m ³ /h)	Inlet/ Entrada	Outlet/ Salida	
	DT1=15K	DT1=15K	dBA											
HCV 5002 121-4D	200432	202221	54	2.1	121.0	16.0	2 x 630	4P-Δ	2200	6.6	17518	2x28	2x22	161
HCV 5002 151-4D	216816	218473	54	2.1	151.3	20.0	2 x 630	4P-Δ	2200	6.6	16957	2x28	2x22	161
HCV 5003 182-4D	302123	304750	55	2.1	182.9	24.2	3 x 630	4P-Δ	3300	9.9	26322	2x28	2x22	233
HCV 5003 227-4D	326709	329144	55	2.1	228.7	30.2	3 x 630	4P-Δ	3300	9.9	25486	2x28	2x22	233
HCV 5004 242-4D	397928	402611	60	2.1	244.8	32.3	4 x 630	4P-Δ	4400	13.2	35126	2x35	2x28	304
HCV 5004 303-4D	432146	436396	60	2.1	306.0	40.4	4 x 630	4P-Δ	4400	13.2	34015	2x35	2x28	304
HCV 5005 303-4D	501128	506464	62	2.1	306.7	40.5	5 x 630	4P-Δ	5500	16.5	43929	2x35	2x28	374
HCV 5005 378-4D	543373	548228	62	2.1	383.4	50.6	5 x 630	4P-Δ	5500	16.5	42544	2x35	2x28	374
HCV 5006 363-4D	607195	612335	65	2.1	368.6	48.7	6 x 630	4P-Δ	6600	19.8	52732	2x35	2x28	445
HCV 5006 454-4D	652740	658532	65	2.1	460.8	60.8	6 x 630	4P-Δ	6600	19.8	51072	2x35	2x28	445

Model / Modelo	Capacity / Capacidad (Btu/h)		Sound Pressure Level	Espacio entre aletas/ Fin Spacing (mm)	Superficie/ Surface (m ²)	Tube Volume/ Volumen Interno (dm ³)	Ventilador Ventilator					Connection/ Conexión (ø mm)		N.W/ Peso Neto (kg)
	R404A	R448A/ R449A	dist=10m				N° x Ø (mm)	Pole connection Conexión de polos	Power/ Potencia (W)	Current/ Intensidad (A)	Volumen de Aire Air Flow (m ³ /h)	Inlet/ Entrada	Outlet/ Salida	
	DT1=15K	DT1=15K	dBA											
HCV 6302 206-4D	378402	382635	55	2.1	206.3	27.2	2 x 630	4P-Δ	5600	16.8	34697	2x28	2x22	242
HCV 6302 206-4S	318395	321332	52	2.1	206.3	27.2	2 x 630	4P-Y	3600	10.4	27202	2x28	2x22	242
HCV 6302 206-6D	280742	283008	48	2.1	206.3	27.2	2 x 630	6P-Δ	2156	6.9	22956	2x28	2x22	242
HCV 6302 206-6S	218038	219304	45	2.1	206.3	27.2	2 x 630	6P-Y	1462	4.4	16579	2x28	2x22	242
HCV 6302 258-4D	416560	420566	55	2.1	257.9	34.0	2 x 630	4P-Δ	5600	16.8	33965	2x28	2x22	261
HCV 6302 258-4S	343209	345873	52	2.1	257.9	34.0	2 x 630	4P-Y	3600	10.4	26325	2x28	2x22	261
HCV 6302 258-6D	300272	302295	48	2.1	257.9	34.0	2 x 630	6P-Δ	2156	6.9	22238	2x28	2x22	261
HCV 6302 258-6S	227851	229020	45	2.1	257.9	34.0	2 x 630	6P-Y	1462	4.4	15926	2x28	2x22	261
HCV 6303 309-4D	568982	575152	56	2.1	309.5	40.9	3 x 630	4P-Δ	8400	25.2	52045	2x35	2x22	349
HCV 6303 309-4S	478460	482749	53	2.1	309.5	40.9	3 x 630	4P-Y	5400	15.6	40803	2x35	2x22	349
HCV 6303 309-6D	421732	425047	49	2.1	309.5	40.9	3 x 630	6P-Δ	3234	10.3	34434	2x35	2x22	349
HCV 6303 309-6S	327371	329234	46	2.1	309.5	40.9	3 x 630	6P-Y	2193	6.7	24868	2x35	2x22	349
HCV 6303 387-4D	614596	622372	56	2.1	386.9	51.1	3 x 630	4P-Δ	8400	25.2	50947	2x35	2x22	377
HCV 6303 387-4S	509686	514723	53	2.1	386.9	51.1	3 x 630	4P-Y	5400	15.6	39488	2x35	2x22	377
HCV 6303 387-6D	447399	451144	49	2.1	386.9	51.1	3 x 630	6P-Δ	3234	10.3	33356	2x35	2x22	377
HCV 6303 387-6S	341203	343046	46	2.1	386.9	51.1	3 x 630	6P-Y	2193	6.7	23889	2x35	2x22	377
HCV 6304 415-4D	761260	769406	64	2.1	415.4	54.8	4 x 630	4P-Δ	11200	33.6	69448	2x42	2x28	456
HCV 6304 415-4S	640252	645920	61	2.1	415.4	54.8	4 x 630	4P-Y	7200	20.8	54486	2x42	2x28	456
HCV 6304 415-6D	564202	568582	57	2.1	415.4	54.8	4 x 630	6P-Δ	4312	13.7	45980	2x42	2x28	456
HCV 6304 415-6S	437948	440414	54	2.1	415.4	54.8	4 x 630	6P-Y	2924	8.9	33220	2x42	2x28	456
HCV 6304 519-4D	837695	845414	64	2.1	519.2	68.6	4 x 630	4P-Δ	11200	33.6	68023	2x42	2x28	493
HCV 6304 519-4S	689773	694919	61	2.1	519.2	68.6	4 x 630	4P-Y	7200	20.8	52743	2x42	2x28	493
HCV 6304 519-6D	603165	607080	57	2.1	519.2	68.6	4 x 630	6P-Δ	4312	13.7	44551	2x42	2x28	493
HCV 6304 519-6S	457530	459799	54	2.1	519.2	68.6	4 x 630	6P-Y	2924	8.9	31920	2x42	2x28	493
HCV 6305 521-4D	932041	945593	65	2.1	521.3	68.8	5 x 630	4P-Δ	14000	42.0	86851	2x54	2x35	561
HCV 6305 521-4S	790065	799281	62	2.1	521.3	68.8	5 x 630	4P-Y	9000	26.0	68169	2x54	2x35	561
HCV 6305 521-6D	699127	706105	58	2.1	521.3	68.8	5 x 630	6P-Δ	5390	17.2	57525	2x54	2x35	561
HCV 6305 521-6S	546011	550038	55	2.1	521.3	68.8	5 x 630	6P-Y	3655	11.1	41571	2x54	2x35	561
HCV 6305 652-4D	1030702	1043450	65	2.1	651.6	86.0	5 x 630	4P-Δ	14000	42.0	85098	2x54	2x35	607
HCV 6305 652-4S	854535	862793	62	2.1	651.6	86.0	5 x 630	4P-Y	9000	26.0	65998	2x54	2x35	607
HCV 6305 652-6D	749755	755890	58	2.1	651.6	86.0	5 x 630	6P-Δ	5390	17.2	55745	2x54	2x35	607
HCV 6305 652-6S	571735	574761	55	2.1	651.6	86.0	5 x 630	6P-Y	3655	11.1	39951	2x54	2x35	607
HCV 6306 627-4D	1145812	1157910	66	2.1	627.2	82.8	6 x 630	4P-Δ	16800	50.4	104254	2x54	2x35	667
HCV 6306 627-4S	963823	972247	63	2.1	627.2	82.8	6 x 630	4P-Y	10800	31.2	81851	2x54	2x35	667
HCV 6306 627-6D	849128	855637	59	2.1	627.2	82.8	6 x 630	6P-Δ	6468	20.6	69070	2x54	2x35	667
HCV 6306 627-6S	659091	662760	56	2.1	627.2	82.8	6 x 630	6P-Y	4386	13.3	49922	2x54	2x35	667
HCV 6306 784-4D	1260862	1272326	66	2.1	784.0	103.5	6 x 630	4P-Δ	16800	50.4	102171	2x54	2x35	722
HCV 6306 784-4S	1038188	1045835	63	2.1	784.0	103.5	6 x 630	4P-Y	10800	31.2	79253	2x54	2x35	722
HCV 6306 784-6D	907622	913439	59	2.1	784.0	103.5	6 x 630	6P-Δ	6468	20.6	66940	2x54	2x35	722
HCV 6306 784-6S	688506	691880	56	2.1	784.0	103.5	6 x 630	6P-Y	4386	13.3	47982	2x54	2x35	722

HCV SERIES CONDENSERS

CONDENSADORES SERIE HCV

Model / Modelo	Capacity / Capacidad (Btu/h)		Sound Pressure Level	Espacio entre aletas/ Fin Spacing (mm)	Superficie/ Surface (m ²)	Tube Volume/ Volumen Interno (dm ³)	Ventilador Ventilator					Connection/ Conexión (ø mm)		N.W/ Peso Neto (kg)
	R404A	R448A/ R449A	dist=10m				N° x Ø (mm)	Pole connection Conexión de polos	Power/ Potencia (W)	Current/ Intensidad (A)	Volumen de Aire Air Flow (m ³ /h)	Inlet/ Entrada	Outlet/ Salida	
	DT1=15K	DT1=15K	dBA											
HCV 8002 358-6D	490084	494004	51	2.1	332.2	43.9	2 x 800	6P-Δ	3800	13.2	41028	2x42	2x28	358
HCV 8002 358-6S	359214	361247	42	2.1	332.2	43.9	2 x 800	6P-Y	1640	5.6	27460	2x42	2x28	358
HCV 8002 448-6D	525475	529878	51	2.1	415.2	54.8	2 x 800	6P-Δ	3800	13.2	39942	2x42	2x28	387
HCV 8002 448-6S	375592	377528	42	2.1	415.2	54.8	2 x 800	6P-Y	1640	5.6	26367	2x42	2x28	387
HCV 8003 538-6D	735400	741786	53	2.1	500.7	66.1	3 x 800	6P-Δ	5700	19.8	61596	2x54	2x35	520
HCV 8003 538-6S	540477	543894	44	2.1	500.7	66.1	3 x 800	6P-Y	2460	8.4	41246	2x54	2x35	520
HCV 8003 673-6D	793705	799504	53	2.1	625.8	82.6	3 x 800	6P-Δ	5700	19.8	59978	2x54	2x35	564
HCV 8003 673-6S	565272	568189	44	2.1	625.8	82.6	3 x 800	6P-Y	2460	8.4	39613	2x54	2x35	564
HCV 8004 721-6D	984311	991981	54	2.1	669.2	88.3	4 x 800	6P-Δ	7600	26.4	82163	2x54	2x35	677
HCV 8004 721-6S	721350	725351	45	2.1	669.2	88.3	4 x 800	6P-Y	3280	11.2	55032	2x54	2x35	677
HCV 8004 901-6D	1041179	1052201	54	2.1	836.5	110.4	4 x 800	6P-Δ	7600	26.4	80015	2x54	2x35	736
HCV 8004 901-6S	749724	754848	45	2.1	836.5	110.4	4 x 800	6P-Y	3280	11.2	52858	2x54	2x35	736
HCV 8005 902-6D	1222392	1234186	55	2.1	837.7	110.6	5 x 800	6P-Δ	9500	33.0	102730	2x67	2x42	834
HCV 8005 902-6S	901375	907511	46	2.1	837.7	110.6	5 x 800	6P-Y	4100	14.0	68819	2x67	2x42	834
HCV 8005 1128-6D	1321052	1331680	55	2.1	1047.1	138.2	5 x 800	6P-Δ	9500	33.0	100051	2x67	2x42	908
HCV 8005 1128-6S	943776	948482	46	2.1	1047.1	138.2	5 x 800	6P-Y	4100	14.0	66103	2x67	2x42	908
HCV 8006 1084-6D	1441924	1460126	56	2.1	1006.2	132.8	6 x 800	6P-Δ	11400	39.6	123298	2x67	2x42	992
HCV 8006 1084-6S	1072960	1082111	47	2.1	1006.2	132.8	6 x 800	6P-Y	4920	16.8	82605	2x67	2x42	992
HCV 8006 1355-6D	1564712	1581058	56	2.1	1257.7	166.0	6 x 800	6P-Δ	11400	39.6	120087	2x67	2x42	1081
HCV 8006 1355-6S	1126387	1133991	47	2.1	1257.7	166.0	6 x 800	6P-Y	4920	16.8	79349	2x67	2x42	1081

AVAILABLE OPTIONS FOR HCV SERIES:

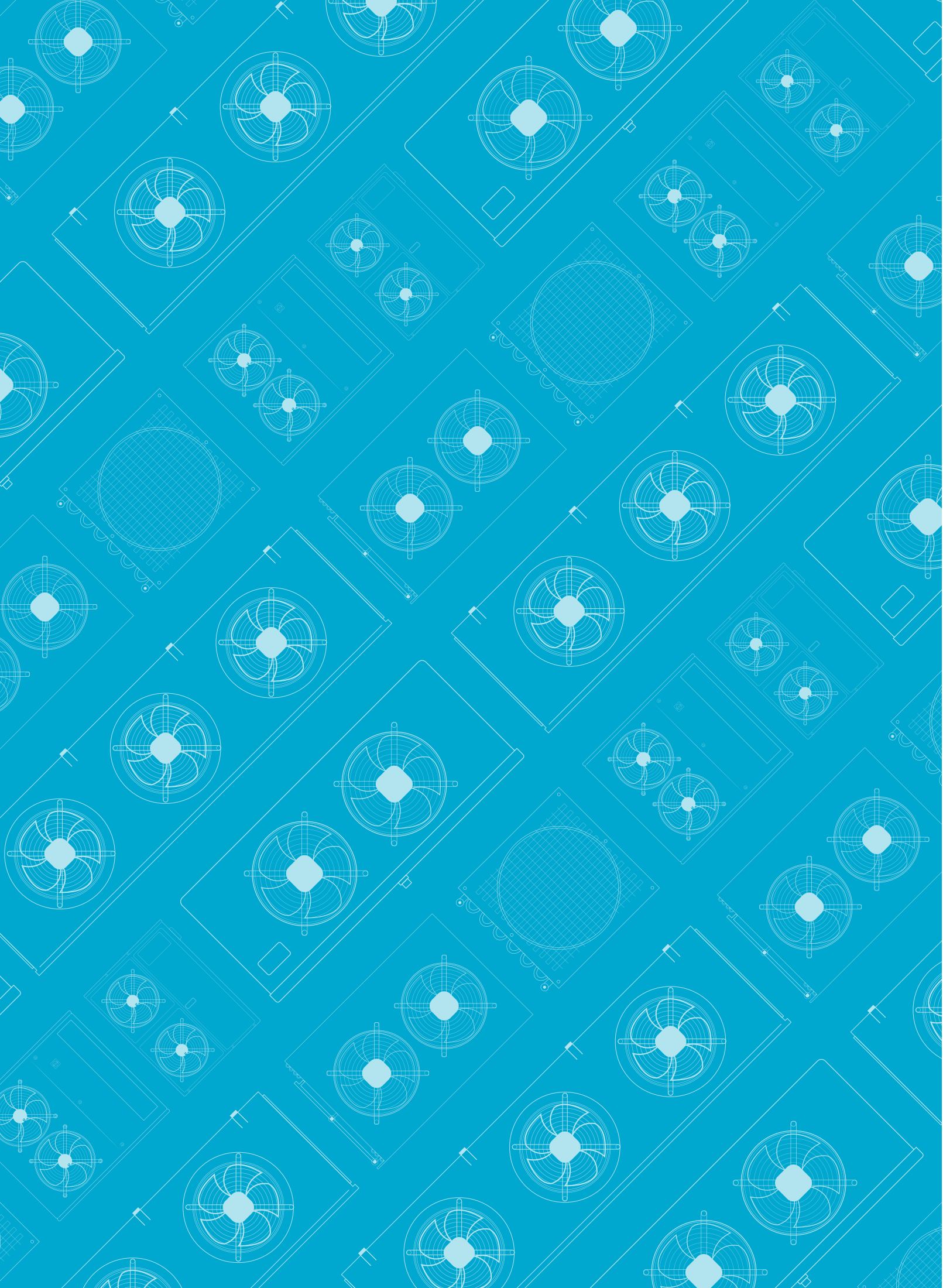
Casing options:

- Coated on customer's request

OPCIONES DISPONIBLES PARA LA SERIE HCV:

Opciones carcasa:

- Recubierto a petición del cliente





CONDENSERS
CONDENSADORES

The exchange coils used in the HCH range are highly efficient with special profile aluminum fins and $\varnothing 9.52$ mm internally grooved tubes, with a reduced internal volume to reduce the necessary refrigerant charge, meeting the needs of the different international regulations for the reduction of gases with high greenhouse effect. They are supplied clean and tested under a pressure of 30 bar.

Supported to the casing by means of a “floating” system that avoids any kind of contact between the copper tubes and the supporting end plates, assuring a long life for the condenser without leaks.

On outdoor units, Blue Fin coating helps protect the parts from corrosion.

HCH SERIES CONDENSERS
CONDENSADORES SERIE HCH

Los serpentines de intercambio utilizados en la gama HCH son de alta eficiencia con aletas de aluminio de perfil especial y $\varnothing 9.52$ mm tubos ranurados interiormente, con un volumen interno reducido para disminuir la carga de refrigerante necesaria, cumpliendo las necesidades de las diferentes normativas internacionales para la disminución de los gases de alto efecto invernadero. Se suministran limpias y probadas a una presión de 30 bar.

Se apoya en la carcasa mediante un sistema “flotante” que evita cualquier tipo de contacto entre los tubos de cobre y las placas terminales de soporte, asegurando una larga vida útil del condensador sin fugas.

En las unidades exteriores, el revestimiento de aleta azul ayuda a proteger las piezas de la corrosión.

HCH SERIES CONDENSERS

CONDENSADORES SERIE HCH

The standard electric fans used in this range have the following characteristics:

-ø630 mm: three-phase 400V/3/50 Hz with external rotor, with L-type grille and nozzle (long mouth). Operating temperature -40°C to +50°C.

-ø800 mm: three-phase 400V/3/50 Hz with external rotor, with ZN-type grille and nozzle (long mouth). Operating temperature -40°C to +50°C.

White coated galvanized steel casing with high resistance to corrosion and impacts.

For performance at work points other than those in this catalog, use the "Unit Selector Hybrid HISPANIA" software.

For special applications and additional information consult our Technical Department.

Los motoventiladores eléctricos estándar utilizados en esta gama tienen las siguientes características:

-ø630 mm: trifásicos 400V/3/50 Hz de rotor externo, con bafle y rejilla tipo L (embocadura larga). Temperatura de funcionamiento -40°C a +50°C.

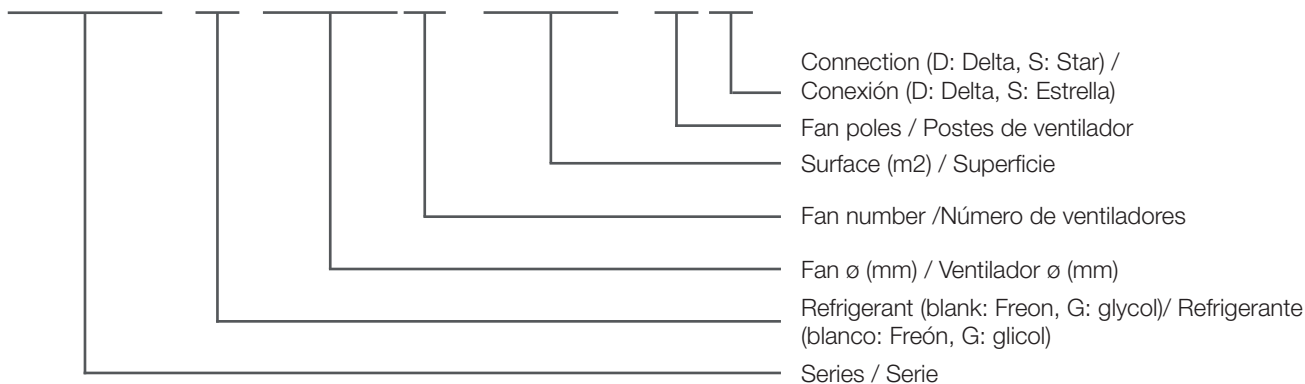
-ø800 mm: trifásicos 400V/3/50 Hz de rotor externo, con bafle y rejilla tipo ZN (embocadura larga). Temperatura de funcionamiento -40°C a +50°C.

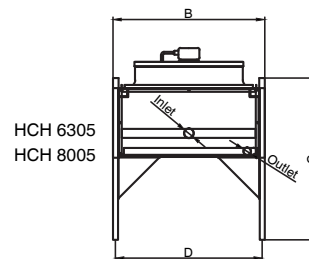
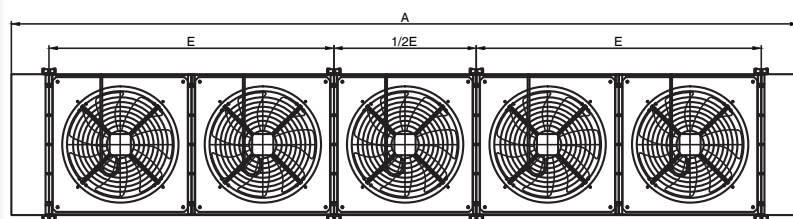
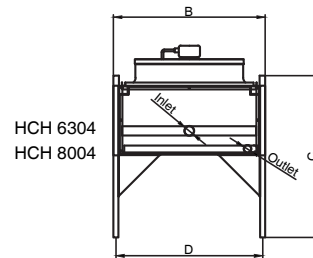
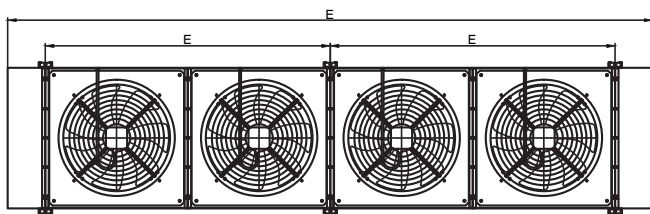
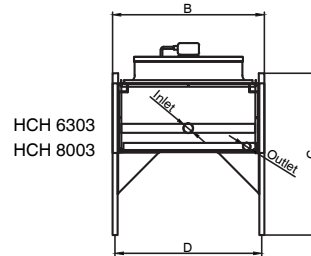
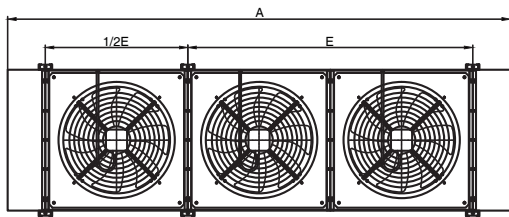
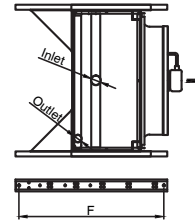
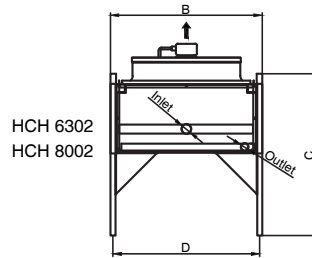
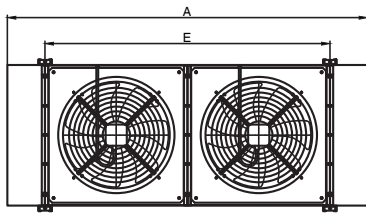
Carcasa de acero galvanizado con recubrimiento blanco con alta resistencia a la corrosión y a los impactos.

Para trabajos con distintos rendimientos a los de este catálogo utilice el software "Unit Selector Hybrid HISPANIA".

Para aplicaciones especiales e informaciones adicionales consultar a nuestro Departamento Técnico.

HCH G 6303-166-4D

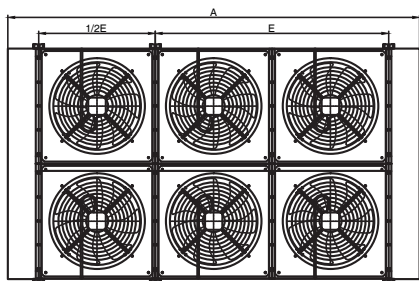




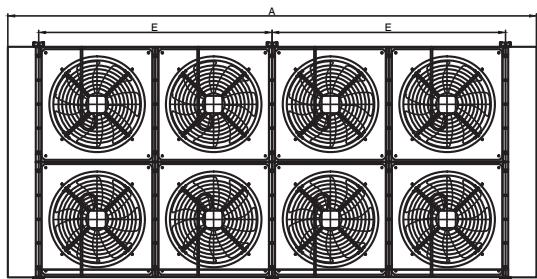
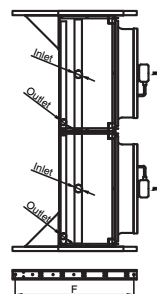
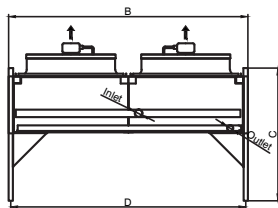
Model / Model	Dimensions / Dimensiones (mm)					
	A	B	C	D	E	F
HCH 6302...	2150	906	965	884	1700	865
HCH 6303...	3000	906	965	884	1700	865
HCH 6304...	3850	906	965	884	1700	865
HCH 6305...	4700	906	965	884	1700	865
HCH 8002...	2610	1206	1030	1182	2200	938
HCH 8003...	3710	1206	1030	1182	2200	938
HCH 8004...	4810	1206	1030	1182	2200	938
HCH 8005...	5910	1206	1030	1182	2200	938

HCH SERIES CONDENSERS

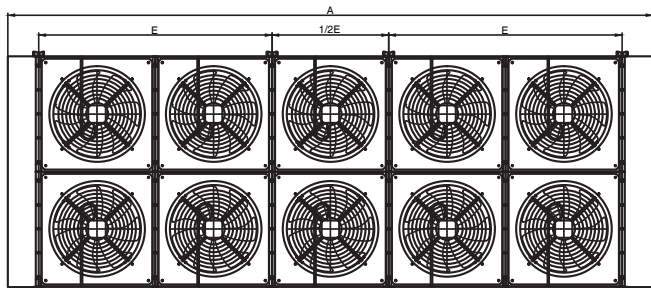
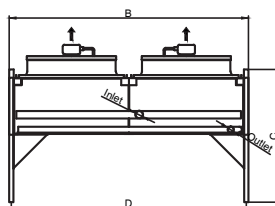
CONDENSADORES SERIE HCH



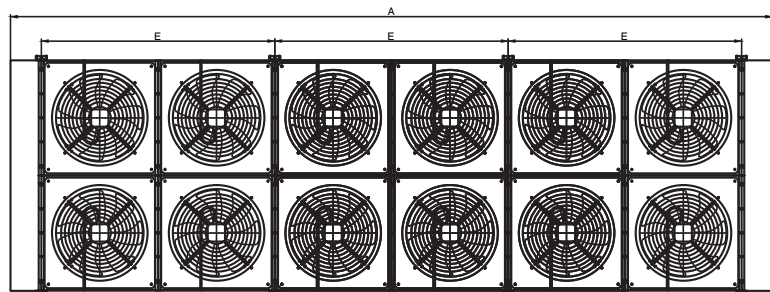
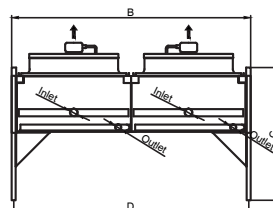
HCH 6306
HCH 8006



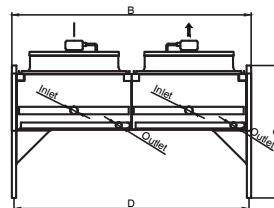
HCH 6308
HCH 8008



HCH 63010
HCH 80010



HCH 63012



Model / Model	Dimensions / Dimensiones (mm)					
	A	B	C	D	E	F
HCH 6306...	3000	1746	965	1724	1700	865
HCH 6308...	3850	1746	965	1724	1700	865
HCH 63010...	4700	1746	965	1724	1700	865
HCH 63012...	5550	1746	965	1724	1700	865
HCH 8006...	3710	2346	1030	2322	2200	938
HCH 8008...	4810	2346	1030	2322	2200	938
HCH 80010...	5910	2346	1030	2322	2200	938

Model / Modelo	Capacity / Capacidad (Btu/h)		Sound Pressure Level	Espacio entre aletas/ Fin Spacing (mm)	Superficie/ Surface (m ²)	Tube Volume/ Volumen Interno (dm ³)	Ventilador Ventilator					Connection/ Conexión (ø mm)		N.W/ Peso Neto (kg)
	R404A	R448A/ R449A	dist=10m				N° x Ø (mm)	Pole connection Conexión de polos	Power/ Potencia (W)	Current/ Intensidad (A)	Air Flow (m ³ /h)	Inlet/ Entrada	Outlet/ Salida	
	DT1=15K	DT1=15K	dBA											
HCH 6302 110-4D	270620	273894	59	2.1	101.5	13.4	2x630	4P-Δ	5600	16.8	29404	35	22	210
HCH 6302 110-4S	246041	248771	54	2.1	101.5	13.4	2x630	4P-Y	5600	9.6	25381	35	22	210
HCH 6302 164-4D	312602	315535	59	2.1	152.2	20.1	2x630	4P-Δ	5600	16.8	26194	35	22	228
HCH 6302 164-4S	277055	279394	54	2.1	152.2	20.1	2x630	4P-Y	5600	9.6	22276	35	22	228
HCH 6303 166-4D	405458	409928	61	2.1	153.4	20.3	3x630	4P-Δ	8400	25.2	44255	42	28	303
HCH 6303 166-4S	367714	371540	56	2.1	153.4	20.3	3x630	4P-Y	8400	14.4	38197	42	28	303
HCH 6303 248-4D	471595	476275	61	2.1	230.2	30.4	3x630	4P-Δ	8400	25.2	39462	42	28	331
HCH 6303 248-4S	418749	422440	56	2.1	230.2	30.4	3x630	4P-Y	8400	14.4	33597	42	28	331
HCH 6304 222-4D	546779	553205	62	2.1	205.4	27.1	4x630	4P-Δ	11200	33.6	59106	54	35	379
HCH 6304 222-4S	496864	502226	57	2.1	205.4	27.1	4x630	4P-Y	11200	19.2	51012	54	35	379
HCH 6304 333-4D	631388	637156	62	2.1	308.1	40.7	4x630	4P-Δ	11200	33.6	52726	54	35	415
HCH 6304 333-4S	560130	564745	57	2.1	308.1	40.7	4x630	4P-Y	11200	19.2	44917	54	35	415
HCH 6305 278-4D	676717	686531	63	2.1	257.4	34.0	5x630	4P-Δ	14000	42.0	73956	67	42	473
HCH 6305 278-4S	617174	625229	58	2.1	257.4	34.0	5x630	4P-Y	14000	24.0	63827	67	42	473
HCH 6305 417-4D	787106	795596	63	2.1	386.0	51.0	5x630	4P-Δ	14000	42.0	65991	67	42	518
HCH 6305 417-4S	700343	706976	58	2.1	386.0	51.0	5x630	4P-Y	14000	24.0	56238	67	42	518
HCH 6306 331-4D	810915	819855	64	2.1	306.9	40.5	6x630	4P-Δ	16800	50.4	88510	2x42	2x28	552
HCH 6306 331-4S	735428	743081	59	2.1	306.9	40.5	6x630	4P-Y	16800	28.8	76393	2x42	2x28	552
HCH 6306 497-4D	943190	952550	64	2.1	460.3	60.8	6x630	4P-Δ	16800	50.4	78923	2x42	2x28	607
HCH 6306 497-4S	837498	844880	59	2.1	460.3	60.8	6x630	4P-Y	16800	28.8	67193	2x42	2x28	607
HCH 6308 443-4D	1093558	1106410	65	2.1	410.8	54.2	8x630	4P-Δ	22400	67.2	118212	2x54	2x35	695
HCH 6308 443-4S	993728	1004452	60	2.1	410.8	54.2	8x630	4P-Y	22400	38.4	102024	2x54	2x35	695
HCH 6308 665-4D	1262776	1274312	65	2.1	616.2	81.4	8x630	4P-Δ	22400	67.2	105452	2x54	2x35	768
HCH 6308 665-4S	1120260	1129491	60	2.1	616.2	81.4	8x630	4P-Y	22400	38.4	89834	2x54	2x35	768
HCH 63010 556-4D	1353434	1373062	66	2.1	514.7	68.0	10x630	4P-Δ	28000	84.0	147912	2x67	2x42	865
HCH 63010 556-4S	1234347	1250458	61	2.1	514.7	68.0	10x630	4P-Y	28000	48.0	127654	2x67	2x42	865
HCH 63010 833-4D	1574212	1591191	66	2.1	772.1	101.9	10x630	4P-Δ	28000	84.0	131981	2x67	2x42	956
HCH 63010 833-4S	1400687	1413953	61	2.1	772.1	101.9	10x630	4P-Y	28000	48.0	112475	2x67	2x42	956
HCH 63012 668-4D	1582045	1612526	67	2.1	618.7	81.7	12x630	4P-Δ	33600	100.8	177613	2x67	2x42	1010
HCH 63012 668-4S	1450861	1475121	62	2.1	618.7	81.7	12x630	4P-Y	33600	57.6	153283	2x67	2x42	1010
HCH 63012 1002-4D	1860946	1886422	67	2.1	928.0	122.5	12x630	4P-Δ	33600	100.8	158510	2x67	2x42	1119
HCH 63012 1002-4S	1662790	1682417	62	2.1	928.0	122.5	12x630	4P-Y	33600	57.6	135115	2x67	2x42	1119

HCH SERIES CONDENSERS

CONDENSADORES SERIE HCH

Model / Modelo	Capacity / Capacidad (Btu/h)		Sound Pressure Level	Espacio entre aletas/ Fin Spacing (mm)	Superficie/ Surface (m ²)	Tube Volume/ Volumen Interno (dm ³)	Ventilador Ventilator					Connection/ Conexión (ø mm)		N.W/ Peso Neto (kg)
	R404A	R448A/ R449A	dist=10m				N° x Ø (mm)	Pole connection Conexión de polos	Power/ Potencia (W)	Current/ Intensidad (A)	Volumen de Aire Air Flow (m ³ /h)	Inlet/ Entrada	Outlet/ Salida	
	DT1=15K	DT1=15K	dBA											
HCH 8002 200-6D	367167	371399	51	2.1	184.9	24.4	2x800	6P-Δ	3800	13.2	34730	54	35	335
HCH 8002 200-6S	264684	266831	42	2.1	184.9	24.4	2x800	6P-Y	1640	5.6	21953	54	35	335
HCH 8002 299-6D	408236	411551	51	2.1	277.4	36.6	2x800	6P-Δ	3800	13.2	30851	54	35	368
HCH 8002 299-6S	279772	281178	42	2.1	277.4	36.6	2x800	6P-Y	1640	5.6	19405	54	35	368
HCH 8003 301-6D	556483	561577	53	2.1	279.1	36.8	3x800	6P-Δ	5700	19.8	52229	54	35	484
HCH 8003 301-6S	397552	400270	44	2.1	279.1	36.8	3x800	6P-Y	2460	8.4	33019	54	35	484
HCH 8003 452-6D	612038	617617	53	2.1	418.6	55.3	3x800	6P-Δ	5700	19.8	46418	54	35	533
HCH 8003 452-6S	421297	423550	44	2.1	418.6	55.3	3x800	6P-Y	2460	8.4	29231	54	35	533
HCH 8004 403-6D	739979	748281	54	2.1	373.2	49.3	4x800	6P-Δ	7600	26.4	69728	67	42	612
HCH 8004 403-6S	532962	537181	45	2.1	373.2	49.3	4x800	6P-Y	3280	11.2	44087	67	42	612
HCH 8004 604-6D	791683	802982	54	2.1	559.8	73.9	4x800	6P-Δ	7600	26.4	61984	67	42	677
HCH 8004 604-6S	554869	559632	45	2.1	559.8	73.9	4x800	6P-Y	3280	11.2	39056	67	42	677
HCH 8005 504-6D	904396	918199	55	2.1	467.4	61.7	5x800	6P-Δ	9500	33.0	87226	67	42	759
HCH 8005 504-6S	660223	666914	46	2.1	467.4	61.7	5x800	6P-Y	4100	14.0	55156	67	42	759
HCH 8005 757-6D	1015883	1026446	55	2.1	701.0	92.6	5x800	6P-Δ	9500	33.0	77550	67	42	842
HCH 8005 757-6S	702880	707454	46	2.1	701.0	92.6	5x800	6P-Y	4100	14.0	48881	67	42	842
HCH 8006 602-6D	1112966	1123153	56	2.1	558.1	73.7	6x800	6P-Δ	11400	39.6	104458	2x54	2x35	864
HCH 8006 602-6S	795104	800540	47	2.1	558.1	73.7	6x800	6P-Y	4920	16.8	66037	2x54	2x35	864
HCH 8006 904-6D	1224077	1235235	56	2.1	837.2	110.5	6x800	6P-Δ	11400	39.6	92835	2x54	2x35	963
HCH 8006 904-6S	842595	847100	47	2.1	837.2	110.5	6x800	6P-Y	4920	16.8	58462	2x54	2x35	963
HCH 8008 806-6D	1479958	1496562	57	2.1	746.4	98.5	8x800	6P-Δ	15200	52.8	139455	2x67	2x42	1094
HCH 8008 806-6S	1065925	1074363	48	2.1	746.4	98.5	8x800	6P-Y	6560	22.4	88174	2x67	2x42	1094
HCH 8008 1208-6D	1583367	1605965	57	2.1	1119.6	147.8	8x800	6P-Δ	15200	52.8	123967	2x67	2x42	1225
HCH 8008 1208-6S	1109737	1119265	48	2.1	1119.6	147.8	8x800	6P-Y	6560	22.4	78112	2x67	2x42	1225
HCH 80010 1009-6D	1808791	1836398	58	2.1	934.7	123.4	10x800	6P-Δ	19000	66.0	174451	2x67	2x42	1351
HCH 80010 1009-6S	1320446	1333828	49	2.1	934.7	123.4	10x800	6P-Y	8200	28.0	110311	2x67	2x42	1351
HCH 80010 1513-6D	2031766	2052891	58	2.1	1402.1	185.1	10x800	6P-Δ	19000	66.0	155099	2x67	2x42	1516
HCH 80010 1513-6S	1405760	1414908	49	2.1	1402.1	185.1	10x800	6P-Y	8200	28.0	97762	2x67	2x42	1516

CONDENSERS/GAS COOLERS

AVAILABLE OPTIONS FOR HCV SERIES:

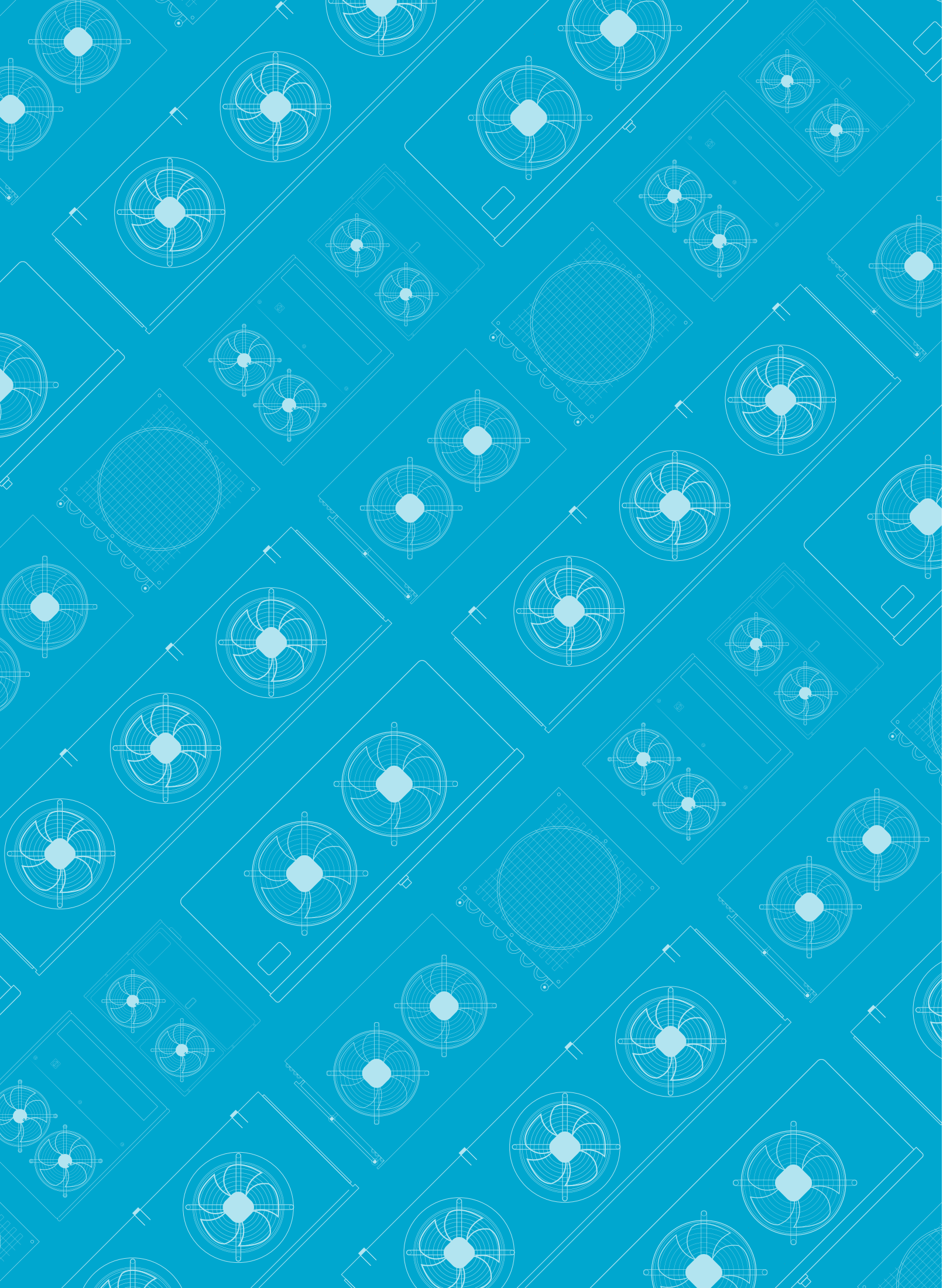
Casing options:

- Coated on customer's request

OPCIONES DISPONIBLES PARA LA SERIE HCV:

Opciones carcasa:

- Recubierto a petición del cliente





GAS COOLERS GAS COOLERS

The exchange coils used in the HCBS CO2 range are highly efficient with special profile aluminum fins and $\varnothing 7$ mm (HCBS) internally grooved tubes. They are supplied clean and tested under a pressure of 30 bar.

Supported to the casing by means of a “floating” system that avoids any kind of contact between the copper tubes and the supporting end plates, assuring a long life for the condenser without leaks.

On outdoor units, Blue Fin coating helps protect the parts from corrosion.

HCBS CO2 SERIES GAS COOLERS GAS COOLERS SERIE HCBS CO2

Los serpentines de intercambio utilizados en la gama HCBS CO2 son de alta eficiencia con aletas de aluminio de perfil especial y $\varnothing 7$ mm (HCBS) tubos ranurados interiormente. Se suministran limpias y probadas a una presión de 30 bar.

Se apoya en la carcasa mediante un sistema “flotante” que evita cualquier tipo de contacto entre los tubos de cobre y las placas terminales de soporte, asegurando una larga vida útil del condensador sin fugas.

En las unidades exteriores, el revestimiento de aleta azul ayuda a proteger las piezas de la corrosión.

HCBS CO2 SERIES GAS COOLERS

GAS COOLERS SERIE HCBS CO2

The standard electric fans used in this range have the following characteristics:

- ø200 mm: single-phase 230V/1/50 Hz with shade pole motor, with grid and short nozzle. Operating temperature -30°C to +50°C.

- ø250, 300, 350, 400 mm: single-phase 230V/1/50 Hz with external rotor, with type K grid and nozzle (short mouth). Operating temperature -40°C to +50°C.

-ø450, 500, 630, 710, 800 mm: three-phase 400V/3/50 Hz with external rotor, with type K grid and nozzle (short mouth). Operating temperature -40°C to +50°C.

Black galvanized steel casing with high resistance to corrosion and impacts.

For performance at work points other than those in this catalog, use the "Unit Selector Hybrid HISPANIA" software.

For special applications and additional information consult our Technical Department.

Los motoventiladores eléctricos estándar utilizados en esta gama tienen las siguientes características:

- ø200 mm: monofásicos 230V/1/50 Hz con motor de polo sombreado, con rejilla y embocadura corta. Temperatura de funcionamiento -30°C a +50°C.

-ø250, 300, 350, 400 mm: monofásicos 230V/1/50 Hz de rotor externo, con rejilla y grilla tipo K (embocadura corta). Temperatura de funcionamiento -40°C a +50°C.

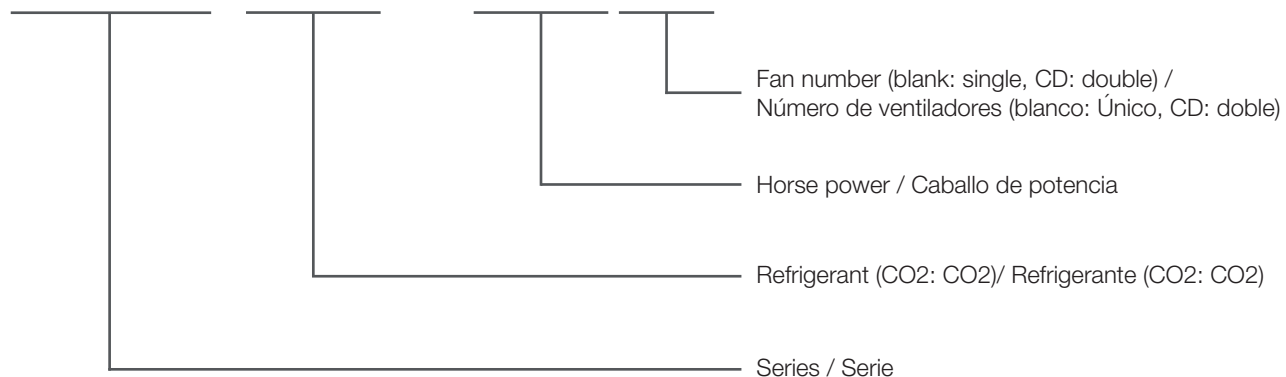
-ø450, 500, 630, 710, 800 mm: trifásicos 400V/3/50 Hz de rotor externo, con rejilla y grilla tipo K (embocadura corta). Temperatura de funcionamiento -40°C a +50°C.

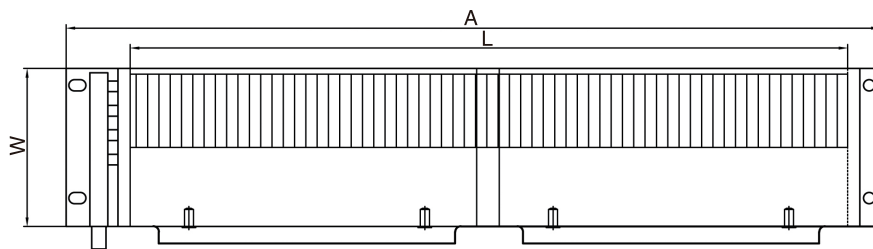
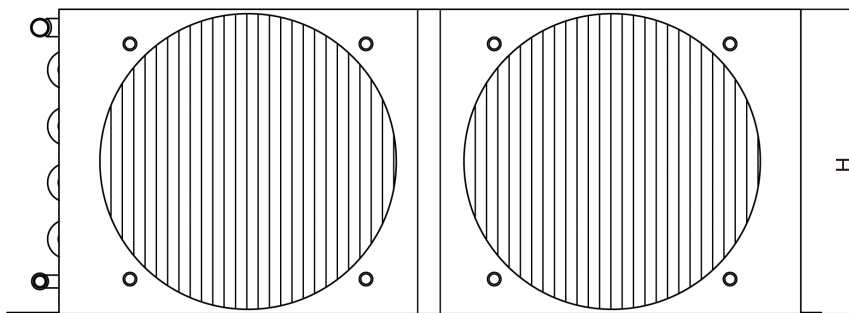
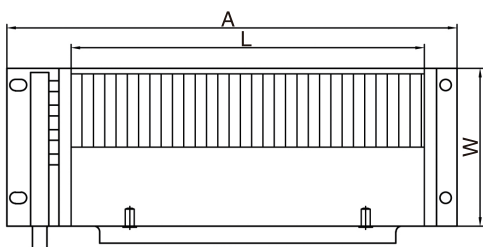
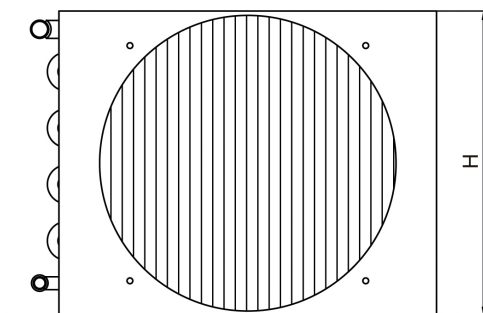
Carcasa de acero galvanizado negro con alta resistencia a la corrosión y a los impactos.

Para trabajos con distintos rendimientos a los de este catálogo utilice el software "Unit Selector Hybrid HISPANIA".

Para aplicaciones especiales e informaciones adicionales consultar a nuestro Departamento Técnico.

HCBS CO2 - 1HPCD





HCBS CO2 SERIES GAS COOLERS

GAS COOLERS SERIE HCBS CO2

Model / Modelo	Tubos N° Tubes N°	Capacity / Capacidad CO2 (Btu/h)	Espacio entre aletas/ Fin Spa- cing (mm)	Superfi- cie/ Surface (m ²)	Ventilador Ventilator		Dimensiones Dimension (mm)				Connection/ Conexión (ø mm)	
		Pressure =90bar			N° x Ø (mm)	Volumen de Aire Air Flow (m ³ /h)	A	H	W	L	Inlet/ Entrada	Outlet/ Salida
		Tin=110°C										
HCBS CO2-1/4HP	2 x 11	11193	3.17	2.14	1 x 250	944	360	281	102	300	7	7
HCBS CO2-1/3HP	3 x 10	12723	3.17	2.92	1 x 250	743.4	380	270	120	300	7	7
HCBS CO2-1/2HP	4 x 10	14011	3.17	3.76	1 x 250	649	380	270	140	290	7	7
HCBS CO2-3/4HP	4 x 12	24358	3.17	5.44	1 x 300	1298	450	370	152	350	12	10
HCBS CO2-1HP	4 x 14	28988	3.17	7.26	1 x 300	1486.8	490	370	152	400	12	10
HCBS CO2-1.5HP	4 x 16	46865	3.17	10.36	1 x 350	2678.6	600	422	182	500	12	10
HCBS CO2-2HP	4 x 18	64378	3.17	13.99	1 x 400	3776	690	473	182	600	15	12
HCBS CO2-2.5HP	5 x 18	71585	3.17	17.49	1 x 400	3540	710	473	200	600	15	12
HCBS CO2-3HP	6 x 18	76135	3.17	20.99	1 x 400	3363	710	473	234	600	15	12
HCBS CO2-4HP	6 x 22	86079	3.17	25.65	1 x 400	3658	710	575	234	600	16	12
HCBS CO2-5HP	4 x 30	133830	2.83	34.48	1 x 450	7198	910	780	215	800	22	15
HCBS CO2-1HPCD	4 x 10	17031	3.17	6.48	2 x 200	767	590	270	140	500	12	10
HCBS CO2-1.5HPCD	4 x 11	30398	3.17	9.41	2 x 250	1534	737	305	140	660	12	10
HCBS CO2-2HPCD	4 x 12	49482	3.17	12.44	2 x 300	2808.4	900	370	152	800	15	12
HCBS CO2-3HPCD	4 x 16	92642	2.83	22.99	2 x 350	5310	1110	420	182	1000	16	12
HCBS CO2-4HPCD	4 x 20	107941	2.83	28.74	2 x 350	5876.4	1110	525	182	1000	22	15
HCBS CO2-5HPCD	4 x 24	138178	2.83	34.48	2 x 400	7670	1110	625	195	1000	22	15
HCBS CO2-6HPCD	4 x 26	154323	2.83	44.83	2 x 400	8260	1310	680	195	1200	22	15
HCBS CO2-7.5HPCD	4 x 32	231826	2.83	55.18	2 x 450	13688	1310	830	215	1200	22	18
HCBS CO2-10HPCD	4 x 32	314121	2.83	73.57	2 x 500	18880	1710	830	230	1600	28	18
HCBS CO2-12HPCD	4 x 36	350799	2.83	82.76	2 x 630	21004	1710	928	230	1600	28	22
HCBS CO2-15HPCD	4 x 36	372581	2.83	93.11	2 x 630	21712	1910	928	230	1800	28	22
HCBS CO2-18HPCD	4 x 36	451936	2.54	113.14	3 x 500	28320	2090	928	230	1980	28	22
HCBS CO2-20HPCD	4 x 42	478509	2.83	123.35	2 x 710	28320	2110	1075	227	2044	28	22
HCBS CO2-25HPCD	4 x 42	507618	2.83	132.77	2 x 710	29500	2310	1075	227	2200	28	22
HCBS CO2-30HPCD	5 x 42	573245	2.83	194.86	2 x 710	28320	2310	1075	227	2200	35	22

AVAILABLE OPTIONS FOR HCBS CO2 SERIES:

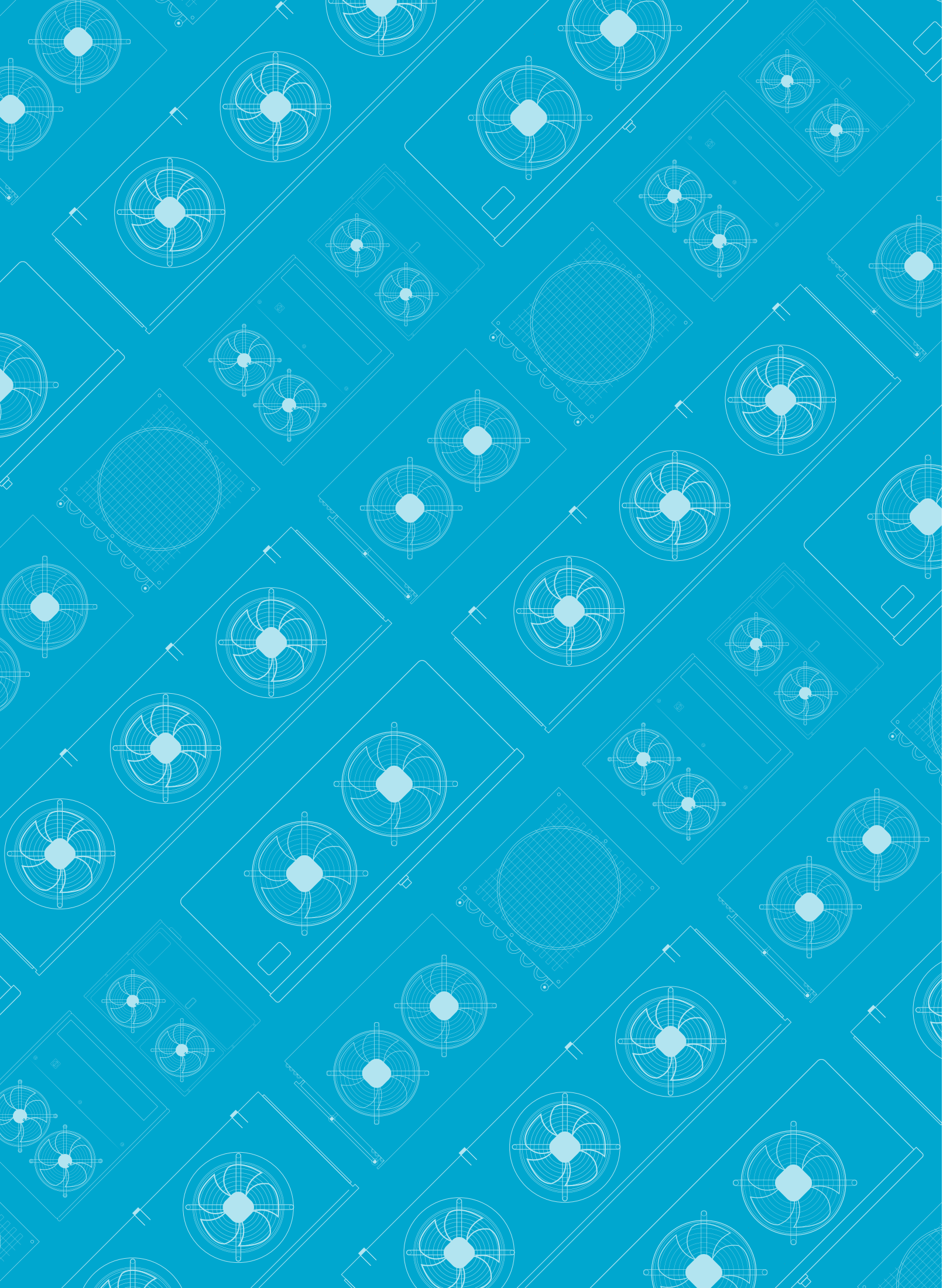
Casing options:

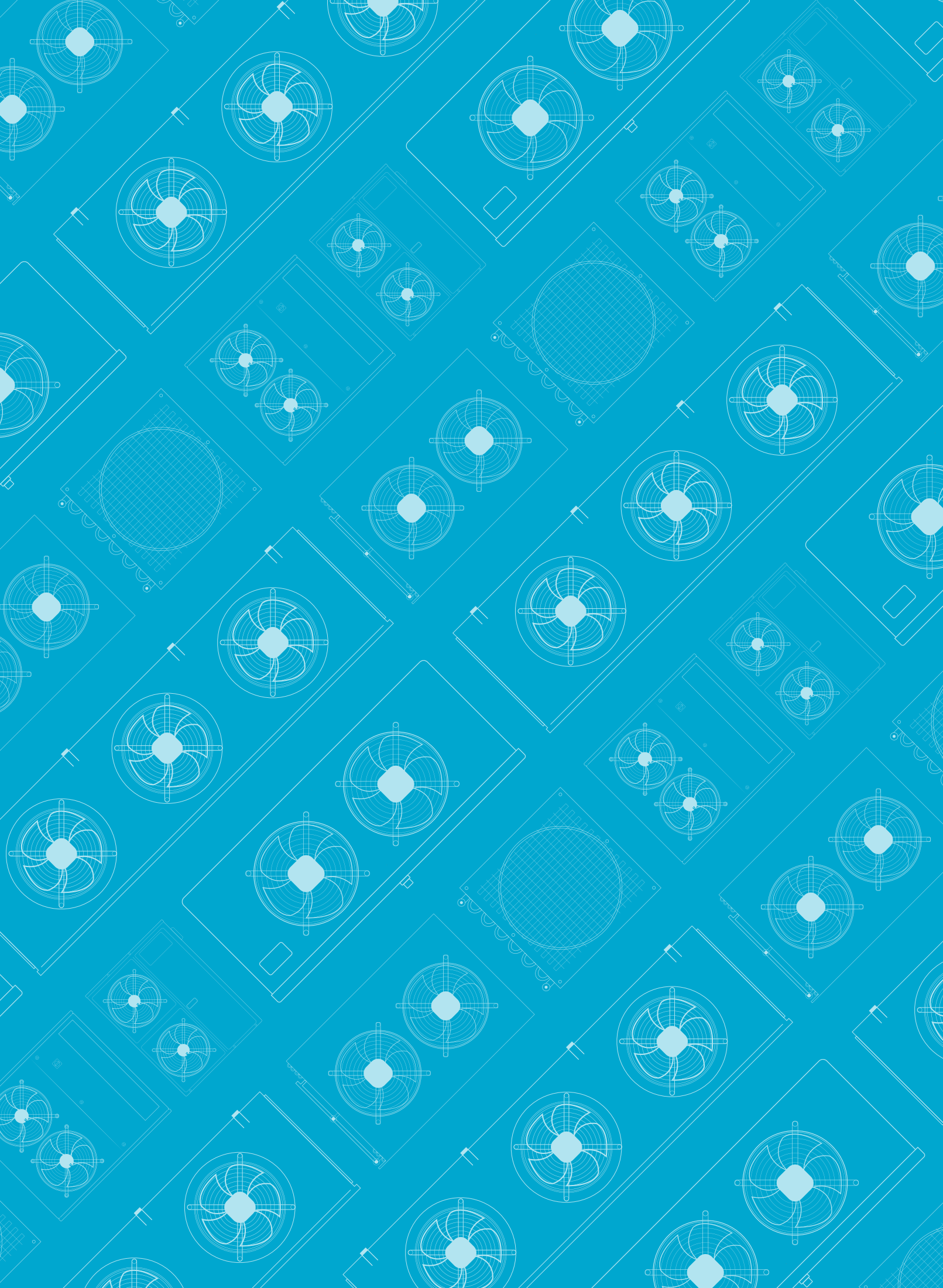
- Coated on customer's request

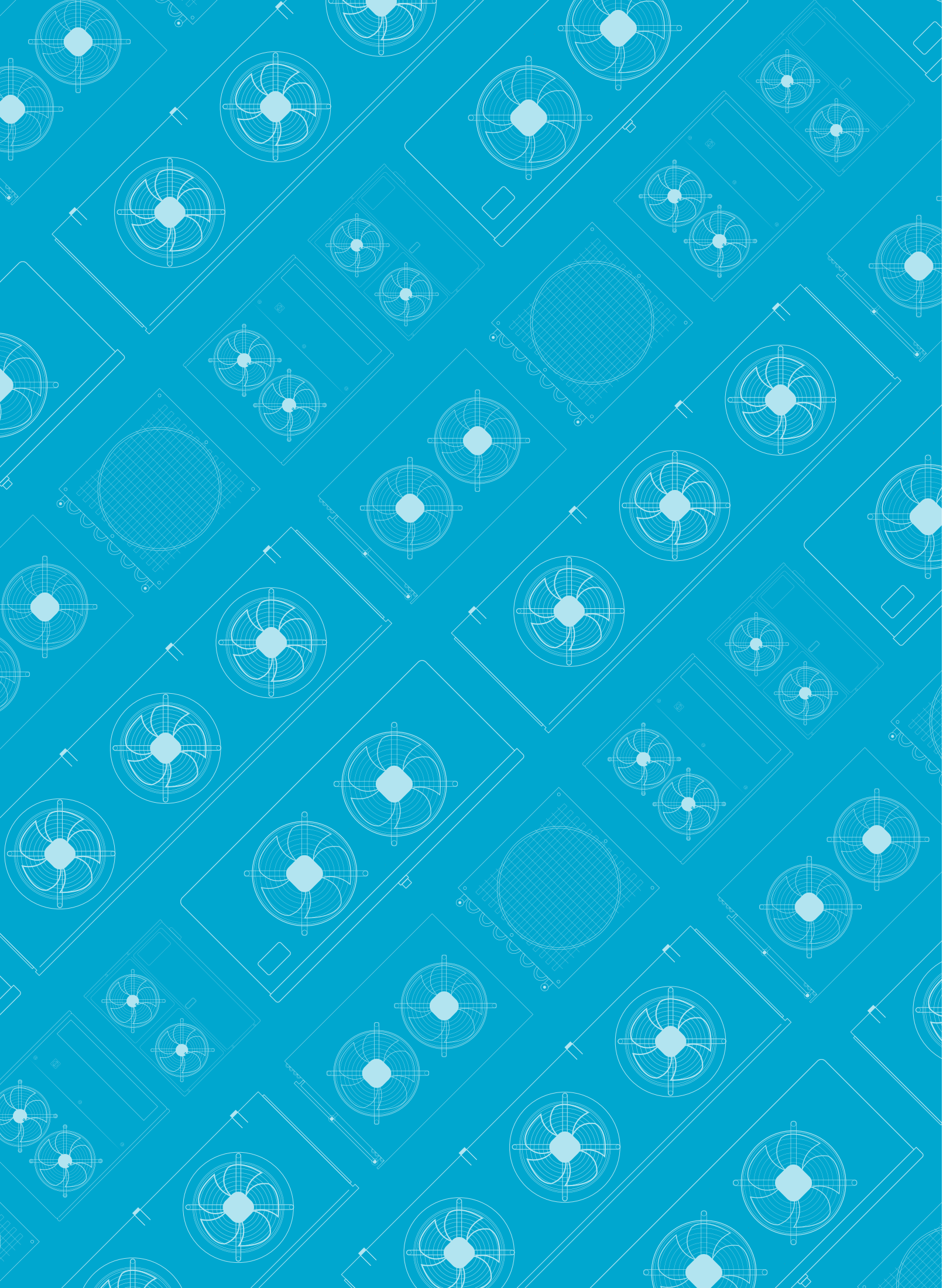
OPCIONES DISPONIBLES PARA LA SERIE HCBS COO2:

Opciones carcasa:

- Recubierto a petición del cliente









Factory / Fábrica

Taizhou Hispania Refrigeration Equipment Co., Ltd.
B-10 Taizhou Economic Zone, Jiangsu, China

Tel. +86 523 80805001

Fax. +86 523 80805666

Jackie@hispaniacorp.com

www.hispaniacorp.com

DISTRIBUTORS / DISTRIBUIDORES

- China
- Chile
- Israel
- Spain
- Colombia
- Australia
- Mexico
- Thailand
- UK
- New Zealand
- Algeria
- Ukraine
- Malaysia
- Poland
- Peru
- Uruguay
- Russia
- Hungary
- Panama
- Bulgaria
- India
- Equator
- USA
- Yemen
- France
- Malta
- Saudi Arabia
- Gabon
- El Salvador
- Lebanon
- Turkey
- Dominica
- Argentina
- Syria
- Italy
- Venezuela
- Singapore
- Madagascar
- Dubai
- Uzbekistan
- Costa Rica
- Armenia